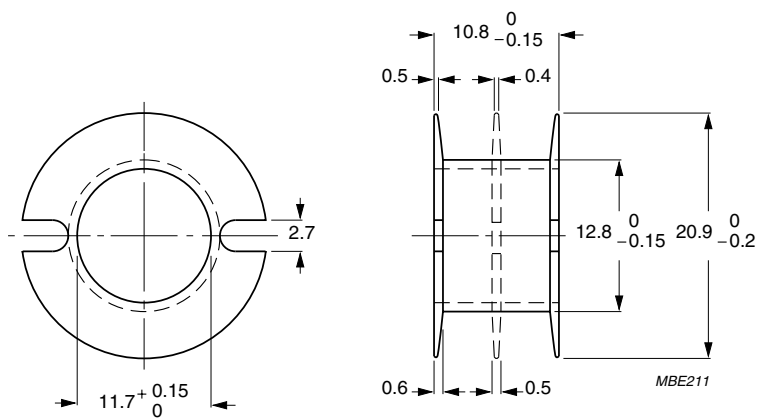


COIL FORMERS

General data for CP-P26/16 coil former

PARAMETER	SPECIFICATION
Coil former material	polybutyleneterephthalate (PBT), glass reinforced, flame retardant in accordance with "UL 94V-0"; UL file number E45329 (R)
Maximum operating temperature	155 C, "IEC 60085", class F



Dimensions in mm.

Fig.3 Coil former CP-P26/16.

Winding data for CP-P26/16 coil former

NUMBER OF SECTIONS	WINDING AREA (mm ²)	MINIMUM WINDING WIDTH (mm)	AVERAGE LENGTH OF TURN (mm)	TYPE NUMBER
1	37.1	9.3	52.6	CP-P26/16-1S
2	2 17.5	2 4.35	52.6	CP-P26/16-2S
3	3 11	3 2.7	52.6	CP-P26/16-3S