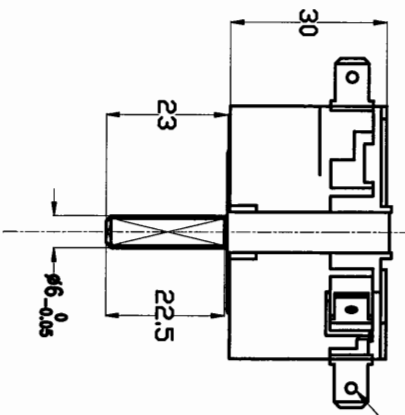
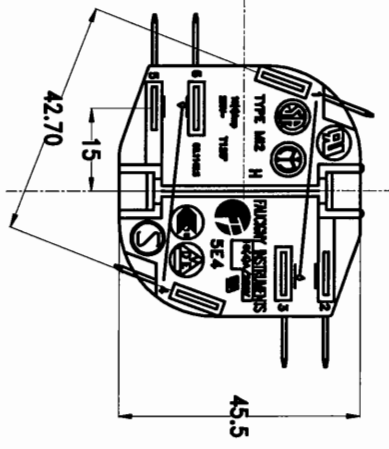
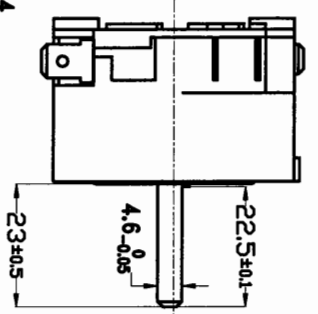


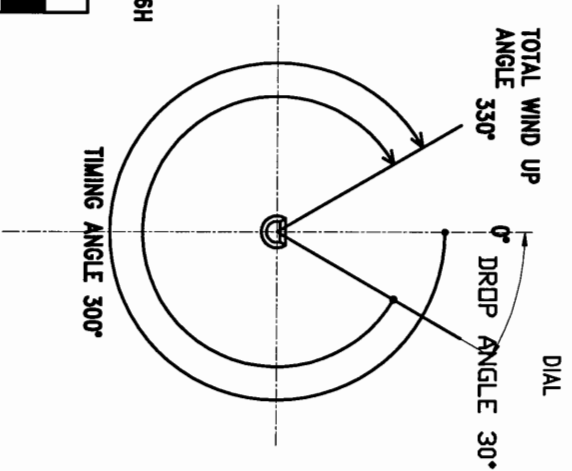
2 HOLES M4



6 TERMINALS Tab 6.35x0.8

| CIRCUIT | 0 | C30 | 6H |
|---------|---|-----|----|
| 1-2 | | | |
| 1-3 | | | |
| 4-6 | | | |
| 4-5 | | | |

0° 30° 330°



CHARACTERISTICS

ELECTRICAL CHARACTERISTICS

standard switch : CEE 24
 Rated amperage : 16(4) A
 Rated voltage : 250 V
 Type of current : Vac
 Switch configuration: DPDT
 Switch for appliance classe II
 Number of electrical operations : 10 000
 connections terminal : 6.35 x 0.8

MECHANICAL CHARACTERISTICS

Winding torque : 1.5 to 4.5 Kg.cm
 Return torque to zero position: 1 to 4.5 Kg.cm
 timing : 6H
 timing range : 5%
 Residual operating torque : 0.1 Kg.cm
 Torque of manual position : /

THERMAL CHARACTERISTICS

Maximum temperature of use : 125° C

MARKING ON BACK CASE

Type MI2

T = 125°C
 Identification of terminals

APPROVALS

UL - SEMKO - ENEC10 VDE - CSA - IMQ
 16A 250V AC RESISTIVE
 4A 250V AC INDUCTIVE

MARKING

Label of the timer : 4 numbers
 week of production : 2 numbers
 Year of production : 2 numbers

| | | | | | |
|--|----------------|----------------|----------------------|----------|---|
| CUSTOMER : OEM ELECTRONICS | | WEIGHT BY 1000 | | USE: / | |
| CUSTOMER PART NUMBER : MI2R206 6H | COLOR: BLACK | | | SETS MI2 | |
| MI2/6H/300/330/14400L/C30/AM000/23/22.5/6.0MT4.6 | | | | 2094 | D |
| DRAWN BY : MARTINET.C | DATE: 20/09/10 | SCALE: 1/1 | FAUCIGNY INSTRUMENTS | | |