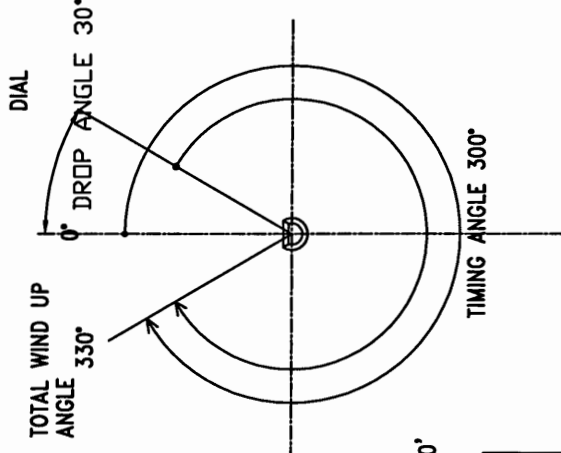
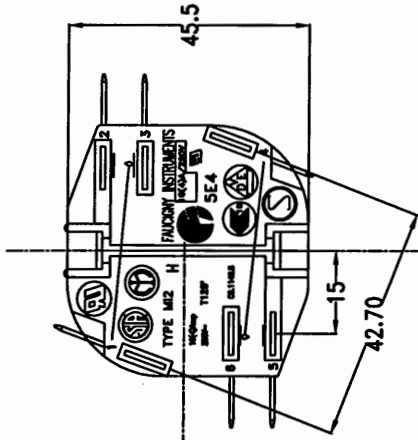
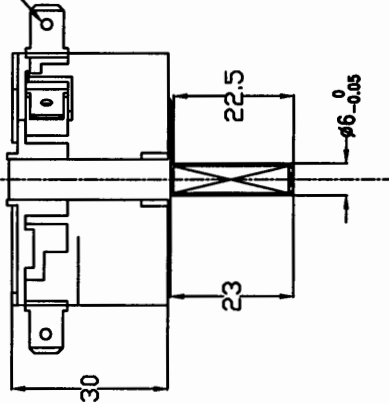


2 HOLES M4

6 TERMINALS Tab 6.35x0.8



CIRCUIT	0	C30	30°	330°
1-2	Black	Black	Black	Black
1-3	Black	Black	Black	Black
4-6	Black	Black	Black	Black
4-5	Black	Black	Black	Black

60° / 300°

**CHARACTERISTICS**

**ELECTRICAL CHARACTERISTICS**

standard switch : CEE 24  
 Rated amperage : 16(4) A  
 Rated voltage : 250 V  
 Type of current : Vac  
 Switch configuration: DPDT  
 Switch for appliance classe II  
 Number of electrical operations : 10 000  
 connections terminal : 6.35 x 0.8

**MECHANICAL CHARACTERISTICS**

Winding torque : 1.5 to 4.5 Kg.cm  
 Return torque to zero position: 1 to 4.5 Kg.cm

timing : 60'  
 timing range : ±5%  
 Residual operating torque : 0.1 Kg.cm  
 Torque of manual position : /

**THERMAL CHARACTERISTICS**

Maximum temperature of use : 125° C

**MARKING ON BACK CASE**

Type MI2

T= 125°C  
 Identification of terminals

**APPROVALS**

UL- SEMKO- ENEC10 VDE- CSA- IMQ  
 16A 250V AC RESISTIVE  
 4A 250V AC INDUCTIVE

**MARKING**

Label of the timer : 4 numbers  
 week of production : 2 numbers  
 Year of production : 2 numbers

CUSTOMER : OEM AUTOMATIC SP	WEIGHT BY 1000	USE: /
CUSTOMER PART NUMBER : MI2R206 60M	COLOR: BLACK	SETS MI2
MI2/60/300/330/14400L/C30/AM000/23/22.5/6.0MT4.6	2092	C
DRAWN BY : MARTINET.C	DATE: 10/11/09	SCALE: 1/1
FAUCIGNY INSTRUMENTS		