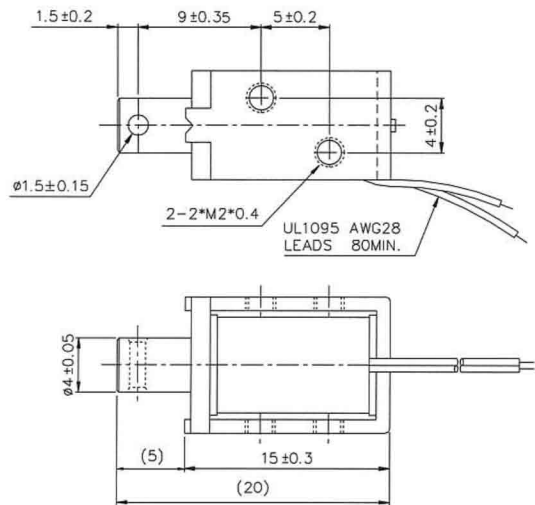
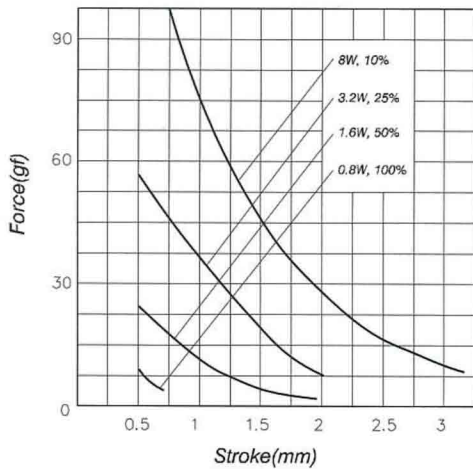


Plunger Weight : 0.6g
 Total Weight : 5.4g

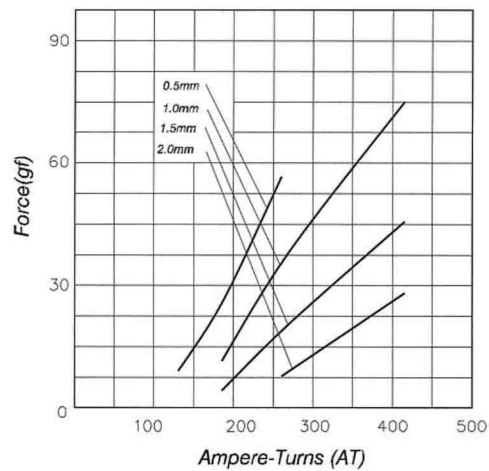


Shown Energized UNIT : mm

STROKE Vs FORCE



AMPERE-TURNS Vs FORCE



COIL DATA

Duty cycle (%) = $\frac{\text{"ON" time}}{\text{"ON" time} + \text{"OFF" time}} \times 100\%$ (%) = $\frac{\text{ON}}{\text{ON} + \text{OFF}} \times 100\%$			Continuous (100%)	Or less (50%)	Or less (25%)	Or less (10%)
			(100%)	(50%)	(25%)	(10%)
MAX. "on" time in seconds ON			∞	50	18	3
Watts at 20°C (W) 20°C			0.8	1.6	3.2	8.0
Ampere-turns at 20°C AT 20°C			130	185	260	415
Type no.	Resistance (20°C) Ω ± 10%	No. turns	Volts DC			
	(Ω) ± 10%					
EMA-0415L-03	11.2	489	3	4.2	6	9.5
EMA-0415L-06	45	975	6	8.5	12	19
EMA-0415L-12	180	1950	12	17	24	38
EMA-0415L-24	720	3900	24	34	48	76