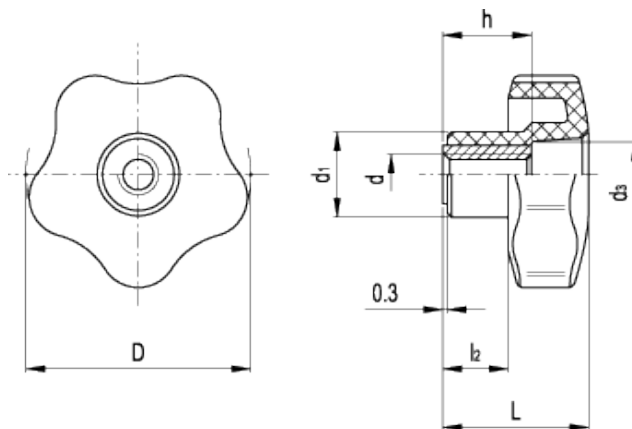


# VCT.FP

Lobe knobs



## technical informations

### Material

High resilience polypropylene based (PP) technopolymer. Resistant to solvents, oils, greases and other chemical agents.

### Colour

Black, matte finish.

### Assembly

Brass boss, tapped through hole.

### Accessories on request

Coloured centre caps (see centre caps table).

### Ergonomy and design

The particular design of this knob follows rigorous ergonomic standards: five-lobe shape, blended radius, well proportioned rim height offer a natural, safe and comfortable grip, allowing the operator to obtain a strong clamping action.

| Standard Elements |               | Main dimensions |      |                |                |                | Mounting hole   |    | Weight |
|-------------------|---------------|-----------------|------|----------------|----------------|----------------|-----------------|----|--------|
| Code              | Description   | D               | L    | d <sub>1</sub> | d <sub>3</sub> | l <sub>2</sub> | d <sub>6H</sub> | h  | g      |
| 69847             | VCT.32 FP-M5  | 32              | 23   | 15             | 10             | 10             | M5              | 12 | 11     |
| 69848             | VCT.32 FP-M6  | 32              | 23   | 15             | 10             | 10             | M6              | 12 | 10     |
| 69849             | VCT.32 FP-M8  | 32              | 23   | 15             | 10             | 10             | M8              | 12 | 9      |
| 69897             | VCT.40 FP-M6  | 40              | 27   | 17             | 12             | 12             | M6              | 18 | 26     |
| 69898             | VCT.40 FP-M8  | 40              | 27   | 17             | 12             | 12             | M8              | 18 | 24     |
| 69899             | VCT.40 FP-M10 | 40              | 27   | 17             | 12             | 12             | M10             | 17 | 23     |
| 69956             | VCT.50 FP-M8  | 50              | 32   | 19             | 15             | 14             | M8              | 20 | 38     |
| 69957             | VCT.50 FP-M10 | 50              | 32   | 19             | 15             | 14             | M10             | 20 | 34     |
| 69958             | VCT.50 FP-M12 | 50              | 32   | 19             | 15             | 14             | M12             | 20 | 30     |
| 70017             | VCT.63 FP-M10 | 63              | 37   | 22             | 19             | 16             | M10             | 26 | 42     |
| 70018             | VCT.63 FP-M12 | 63              | 37   | 22             | 19             | 16             | M12             | 26 | 46     |
| 70067             | VCT.74 FP-M12 | 74              | 43.5 | 26             | 17             | 22             | M12             | 26 | 56     |
| 70068             | VCT.74 FP-M14 | 74              | 43.5 | 26             | 17             | 22             | M14             | 26 | 52     |
| 70069             | VCT.74 FP-M16 | 74              | 43.5 | 26             | 17             | 22             | M16             | 31 | 54     |

- RAL 9005
- RAL 3000
- RAL 2004
- RAL 7035
- RAL 1021
- RAL 5024

#### CENTRE CAPS

| VCT.32 |              | VCT.40 |              | VCT.50 |              | VCT.63 - VCT.74 - VCT.95 |                    |
|--------|--------------|--------|--------------|--------|--------------|--------------------------|--------------------|
| Code   | Description  | Code   | Description  | Code   | Description  | Code                     | Description        |
| 6900   | CA.VCT.32 NR | 6910   | CA.VCT.40 NR | 6920   | CA.VCT.50 NR | 6930                     | CA.VCT.63-74-95 NR |
| 6901   | CA.VCT.32 RS | 6911   | CA.VCT.40 RS | 6921   | CA.VCT.50 RS | 6931                     | CA.VCT.63-74-95 RS |
| 6903   | CA.VCT.32 AR | 6913   | CA.VCT.40 AR | 6923   | CA.VCT.50 AR | 6933                     | CA.VCT.63-74-95 AR |
| 6904   | CA.VCT.32 GR | 6914   | CA.VCT.40 GR | 6924   | CA.VCT.50 GR | 6934                     | CA.VCT.63-74-95 GR |
| 6905   | CA.VCT.32 GI | 6915   | CA.VCT.40 GI | 6925   | CA.VCT.50 GI | 6935                     | CA.VCT.63-74-95 GI |
| 6906   | CA.VCT.32 AZ | 6916   | CA.VCT.40 AZ | 6926   | CA.VCT.50 AZ | 6936                     | CA.VCT.63-74-95 AZ |



ELESA and GANTER models all rights reserved in accordance with the law. Always mention the source when reproducing our drawings.

STANDARD MACHINE ELEMENTS WORLDWIDE