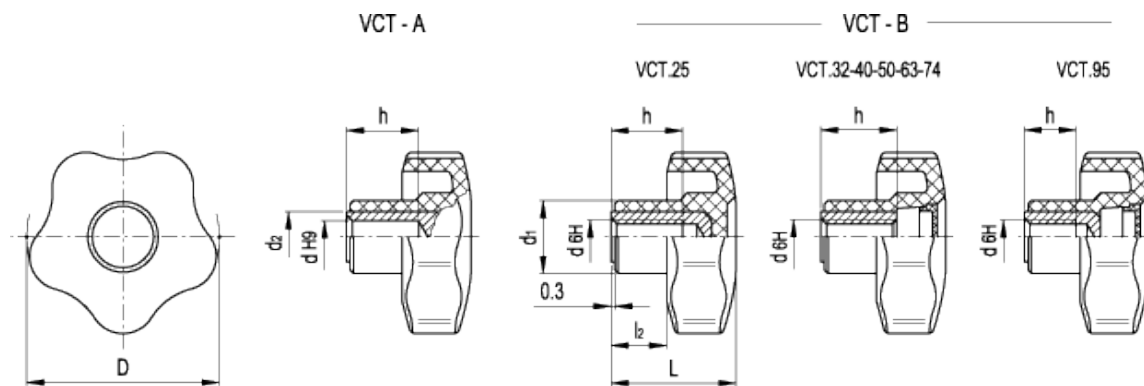


VCT.

Lobe knobs



technical informations

Material

High resilience polypropylene based (PP) technopolymer. Resistant to solvents, oils, greases and other chemical agents.

Colour

Black, matte finish.

On request and for sufficient quantities, it can be supplied in other colours or with customised graphic symbols, marks or writings.

Assembly

- Execution A: black-oxide steel boss, plain blind hole.
- Execution B: brass boss, tapped blind hole (VCT.25 - 95) or tapped through hole (VCT.32 - 40 - 50 - 63 - 74).

Ergonomy and design

The particular design of this knob follows rigorous ergonomic standards: five-lobe shape, blended radius, well proportioned rim height offer a natural, safe and comfortable grip, allowing the operator to obtain a strong clamping action.

| Standard Elements | | Main dimensions | | | | | Mounting hole | | | C # | Weight |
|-------------------|--------------|-----------------|------|----------------|----------------|----------------|-----------------|-----------------|----|-----|--------|
| Code | Description | D | L | d ₁ | d ₂ | l ₂ | d _{H9} | d _{6H} | h | g | |
| 69811 | VCT.25 B-M4 | 25 | 19 | 13 | - | 8 | - | M4 | 10 | 7 | |
| 69812 | VCT.25 B-M5 | 25 | 19 | 13 | - | 8 | - | M5 | 10 | 6 | |
| 69813 | VCT.25 B-M6 | 25 | 19 | 13 | - | 8 | - | M6 | 10 | 5 | |
| 69843 | VCT.32 B-M5 | 32 | 23 | 15 | - | 10 | - | M5 | 12 | 11 | |
| 69844 | VCT.32 B-M6 | 32 | 23 | 15 | - | 10 | - | M6 | 12 | 10 | |
| 69845 | VCT.32 B-M8 | 32 | 23 | 15 | - | 10 | - | M8 | 12 | 9 | |
| 69892 | VCT.40 A-8 | 40 | 27 | 17 | 12 | 12 | 8 | - | 14 | 36 | |
| 69893 | VCT.40 B-M6 | 40 | 27 | 17 | - | 12 | - | M6 | 18 | 26 | |
| 69894 | VCT.40 B-M8 | 40 | 27 | 17 | - | 12 | - | M8 | 18 | 24 | |
| 69895 | VCT.40 B-M10 | 40 | 27 | 17 | - | 12 | - | M10 | 17 | 23 | |
| 69951 | VCT.50 A-8 | 50 | 32 | 19 | 12 | 14 | 8 | - | 14 | 37 | |
| 69952 | VCT.50 A-10 | 50 | 32 | 19 | 15 | 14 | 10 | - | 16 | 34 | |
| 69953 | VCT.50 B-M8 | 50 | 32 | 19 | - | 14 | - | M8 | 20 | 38 | |
| 69954 | VCT.50 B-M10 | 50 | 32 | 19 | - | 14 | - | M10 | 20 | 34 | |
| 69955 | VCT.50 B-M12 | 50 | 32 | 19 | - | 14 | - | M12 | 20 | 30 | |
| 70001 | VCT.63 A-8 | 63 | 37 | 22 | 15 | 16 | 8 | - | 20 | 52 | |
| 70002 | VCT.63 A-10 | 63 | 37 | 22 | 16 | 16 | 10 | - | 21 | 49 | |
| 70012 | VCT.63 B-M8 | 63 | 37 | 22 | - | 16 | - | M8 | 26 | 45 | |
| 70013 | VCT.63 B-M10 | 63 | 37 | 22 | - | 16 | - | M10 | 26 | 42 | |
| 70014 | VCT.63 B-M12 | 63 | 37 | 22 | - | 16 | - | M12 | 26 | 40 | |
| 70051 | VCT.74 A-8 | 74 | 43.5 | 26 | 15 | 22 | 8 | - | 20 | 65 | |
| 70062 | VCT.74 B-M12 | 74 | 43.5 | 26 | - | 22 | - | M12 | 26 | 57 | |
| 70063 | VCT.74 B-M14 | 74 | 43.5 | 26 | - | 22 | - | M14 | 26 | 53 | |
| 70064 | VCT.74 B-M16 | 74 | 43.5 | 26 | - | 22 | - | M16 | 31 | 55 | |
| 70097 | VCT.95 B-M16 | 95 | 46 | 32 | - | 21 | - | M16 | 22 | 109 | |



ELESA and GANTER models all rights reserved in accordance with the law. Always mention the source when reproducing our drawings.

STANDARD MACHINE ELEMENTS WORLDWIDE