

**ebm-papst St. Georgen GmbH & Co. KG**

Hermann-Papst-Str. 1  
 D-78112 St. Georgen  
 Phone +49 (0) 7724 81-0  
 Fax +49 (0) 7724 81-1309  
 info2@de.ebmpapst.com  
 www.ebmpapst.com

**Nominal data**

Type	5958	
Phase		1~
Nominal voltage	VAC	230
Frequency	Hz	50
Speed	min <sup>-1</sup>	2750
Power input	W	18.0
Min. ambient temperature	°C	-30
Max. ambient temperature	°C	60
Air flow	m <sup>3</sup> /h	180
Sound power level	B	5.5
Sound pressure level	dB(A)	44

ml = Max. load · me = Max. efficiency · fa = Running at free air · cs = Customer specs · cu = Customer unit  
 Subject to alterations

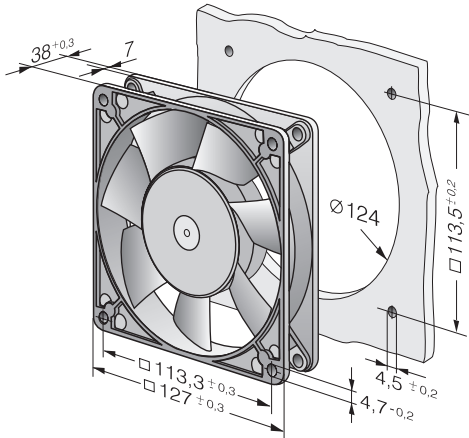


**Technical features**

<b>Mass</b>	0.570 kg
<b>Dimensions</b>	127 x 127 x 38 mm
<b>Material of impeller</b>	Fibreglass-reinforced plastic (PA)
<b>Housing material</b>	Die-cast aluminium
<b>Direction of air flow</b>	Exhaust over struts
<b>Direction of rotation</b>	Left, looking at rotor
<b>Bearing</b>	Ball bearings
<b>Lifetime L10 at 40 °C</b>	40000 h
<b>Lifetime L10 at maximum temperature</b>	25000 h
<b>Connection line</b>	2 flat connectors 2.8 x 0.5 mm. Fan housing with grounding lug for M4 x 6.
<b>Motor protection</b>	Protected from overload using impedance protection
<b>Approval</b>	VDE, CSA, UL, CE



## Product drawing



**Charts: Air flow**

