



The Solista LX Wall is suitable for a variety of applications, available in a red or white body and compatible with the full range of 6 bases.

A patented lens design distributes light to achieve the required illumination specified by EN 54-23, whilst using minimum current consumption.

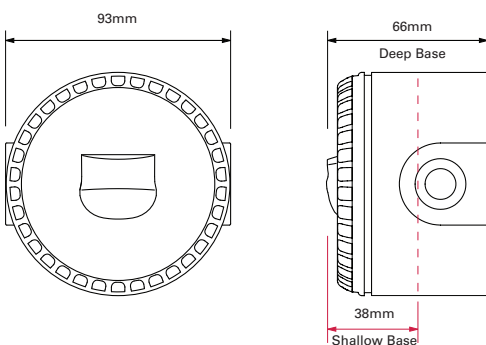
### Features

- Ultra low current consumption of 10mA
- Up to 7.5m room coverage
- 0.5Hz or 1Hz flash rate
- Coverage switch to 2.5m

### Benefits

- Use where current consumption is a key consideration
- Ideal for bedrooms, bathrooms and toilets
- Switch flash rate to 0.5Hz to reduce current consumption
- Reduces power consumption by up to 50%

### Dimensions



### Technical Specification

<b>Mounting Type</b>	Wall
<b>Voltage</b>	9 - 60VDC
<b>Current</b>	10 - 25mA dependent on setting
<b>Coverage (y)</b>	7.5m (Switchable to 2.5m)*
<b>Mounting Height (x)</b>	2.4m (max)
<b>Coverage Volume Code</b>	W-2.4-7.5
<b>Coverage Volume</b>	135m <sup>3</sup> (15m <sup>3</sup> )
<b>Flash Rate</b>	1Hz (Switchable to 0.5Hz)
<b>Operating Temperature</b>	-25°C to +70°C
<b>Monitoring</b>	Reverse Polarity
<b>Protection</b>	IP33C Shallow Base IP65 Deep and U Base
<b>Weight</b>	100g
<b>Body Colour</b>	White or Red
<b>Flash Colour</b>	White or Red

\* CNPP test results

Solista LX Wall White



### Catalogue Numbers

Reference	Cat No	Description
SOLX-W/WF/R1/S	812007FULL-0108X	Solista LX Wall, White Flash, Red Body, Shallow Base
SOLX-W/WF/R1/D	812008FULL-0109X	Solista LX Wall, White Flash, Red Body, Deep Base
SOLX-W/RF/R1/S	812013FULL-0114X	Solista LX Wall, Red Flash, Red Body, Shallow Base
SOLX-W/RF/R1/D	812005FULL-0107X	Solista LX Wall, Red Flash, Red Body, Deep Base
SOLX-W/RF/W1/S	812015FULL-0116X	Solista LX Wall, Red Flash, White Body, Shallow Base
SOLX-W/RF/W1/D	812016FULL-0117X	Solista LX Wall, Red Flash, White Body, Deep Base

For full list of part numbers, turn to page 79

