



Part no.
Article no.

SL7-SWD
171459



Powering Business Worldwide™



Catalog No.

SL7-SWD

Delivery programme

Product range
Basic function
Product range
Subrange
Connection technique
Mounting type
Fitted with

Description

Tube length
Number of modules

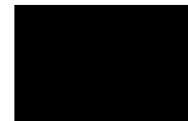
Colour

For use with

Connection to SmartWire-DT

SL7 signal towers
Base module
SmartWire-DT slave
SmartWire-DT Signal towers
Blade terminal SWD4-8MF2
for horizontal mounting
Base with base adapter for slipping
onto place (rapid mounting and wiring
system)
including cover
External power supply connectable (24
V DC)
Configurable with SWD-Assist
(planning and ordering help)
Further technical data, see manual
MN05006001Z.
100 mm
max. 5 modules
max. 0.3 A per module

black
Aluminum color tube



SL7-L-...
SL7-BL-...
SL7-FL-...
SL7-AP-...
yes

Approvals

Product Standards
North America Certification
Degree of Protection

IEC/EN 60947-5-1; UL 508; CSA-C22.2 No. 14-10; CSA-C22.2 No. 94-91; CE marking
Request filed for UL and CSA
UL Type 4, 4X, 13

General

Standards
Climatic proofing
Mounting position
Mechanical shock resistance
IEC degree of protection
Protection type UL
Cap colour
Ambient temperature
Number of signal elements

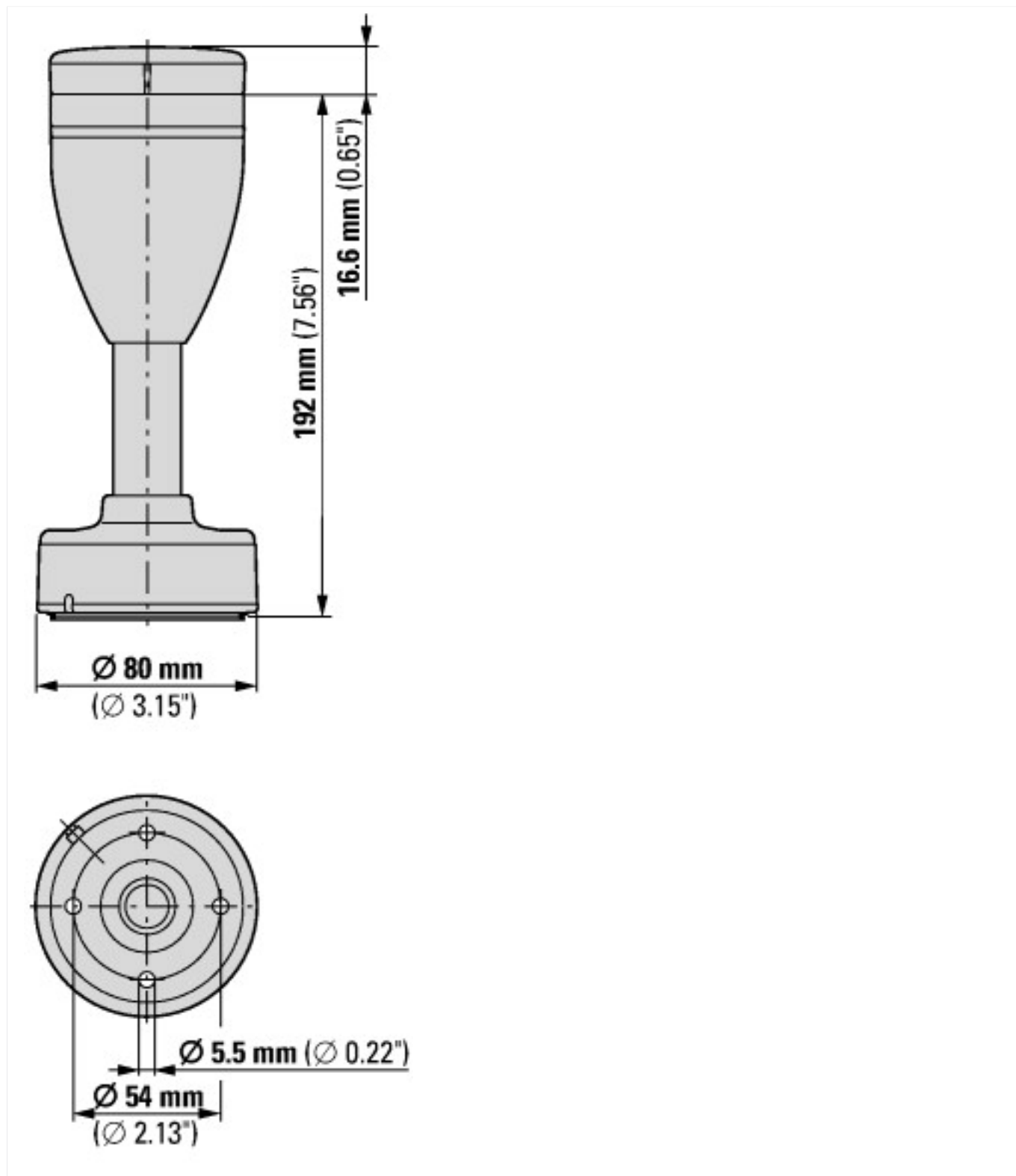
		IEC/EN 60947-5-1
		Damp heat, constant, to IEC 60068-2-78 Damp heat, cyclic, to IEC 60069-2-30
		As required
	g	> 15 according to IEC 60068-2-27 Shock duration 11 ms Sinusoidal
		IP66 IEC/EN 60529
		Type 4, 4X, 13
		black Aluminum color tube
	°C	-30 - +60
		Max. 5 with standard base Max. 10 with base for mounting on both sides

Technical data ETIM 5.0

Low-voltage industrial components (EG000017) / Connection module for signal tower (EC001152)
 Electric engineering, automation, process control engineering / Low-voltage switch technology / Command and alarm device / Signal column element, connection module
 (ecl@ss8-27-37-12-32 [AKF050010])
 Connection type auxiliary circuit
 Tube mounting possible
 Bracket mounting possible
 Floor mounting possible
 Colour
 Suitable for AS interface

Spring clamp connection
 No
 Yes
 Yes
 -
 No

Dimensions



Additional product information (links)

IL047008ZU Signal towers SL4/7 with SWD connection	
IL047008ZU Signal towers SL4/7 with SWD connection	ftp://ftp.moeller.net/DOCUMENTATION/AWA_INSTRUCTIONS/IL047008ZU2014_03.pdf
MN05006002Z-EN (AWB2723-1617) SmartWire-DT, The System	
MN05006002Z-DE (AWB2723-1617) SmartWire-DT, Das System - Deutsch	ftp://ftp.moeller.net/DOCUMENTATION/AWB_MANUALS/MN05006002Z_DE.pdf

MN05006002Z-EN (AWB2723-1617) SmartWire-DT, The System - English	ftp://ftp.moeller.net/DOCUMENTATION/AWB_MANUALS/MN05006002Z_EN.pdf
MN05006002Z-IT (AWB2723-1617) SmartWire-Darwin, Il sistema - italiano	ftp://ftp.moeller.net/DOCUMENTATION/AWB_MANUALS/MN05006002Z_IT.pdf
MN05006001Z-DE SmartWire-DT, Unit	
MN05006001Z-DE SmartWire-DT, Teilnehmer - Deutsch	ftp://ftp.moeller.net/DOCUMENTATION/AWB_MANUALS/MN05006001Z_DE.pdf
MN05006001Z-DE SmartWire-DT, Unit - English	ftp://ftp.moeller.net/DOCUMENTATION/AWB_MANUALS/MN05006001Z_EN.pdf
MN05006001Z-DE SmartWire-DT, modulo - italiano	ftp://ftp.moeller.net/DOCUMENTATION/AWB_MANUALS/MN05006001Z_IT.pdf