



**Part no.**  
**Article no.**

**SL7-L230-A**  
**171426**



Powering Business Worldwide™

**Catalog No.**

**SL7-L230-A**

## Delivery programme

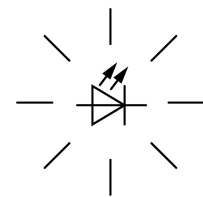
Product range  
Basic function  
Protection type  
Rated operational voltage  
Type of light  
Light elements  
Colour

$U_e$

V

SL7 signal towers  
Card with LED  
IP66  
230/240 V AC  
Continuous light  
LED

Orange



no

Function

Connection to SmartWire-DT

## Approvals

Product Standards  
UL File No.  
UL Category Control No.  
CSA File No.  
CSA Class No.  
North America Certification  
Degree of Protection

IEC/EN 60947-5-1; UL 508; CSA-C22.2 No. 14-10; CSA-C22.2 No. 94-91; CE marking  
E29184  
NKCR  
UL report applies to both US and Canada  
NKCR7  
UL listed, certified by UL for use in Canada  
UL Type 4, 4X, 13

## General

Standards  
Climatic proofing  
Mounting position  
Mechanical shock resistance  
IEC degree of protection  
Protection type UL  
Material  
Cap colour  
Ambient temperature  
Number of signal elements  
Weight

		IEC/EN 60947-5-1
		Damp heat, constant, to IEC 60068-2-78 Damp heat, cyclic, to IEC 60069-2-30
		As required
	g	> 15 according to IEC 60068-2-27 Shock duration 11 ms Sinusoidal
		IP66 IEC/EN 60529
		Type 4, 4X, 13
		Enclosure: Polycarbonate (PC), black Cap: Polycarbonate (PC)
		Orange
	°C	-30 - +60
		Max. 5 with standard base Max. 10 with base for mounting on both sides
	g	80

## Contacts

Rated impulse withstand voltage  
Rated insulation voltage  
Overvoltage category/pollution degree

$U_{imp}$	V AC	4000
$U_i$	V	250
		III/3

## Module

Type of light  
Light elements  
Leakage current  
lifespan  
Transmission angle

		Continuous light
		LED
	A	< 0.003
	h	> 100000
		360°

Current-/power consumption

230 /240V AC

Voltage levels

	A	0.027 - 0.028
		230/240 V AC $\pm$ 10 %

## Technical data ETIM 5.0

Low-voltage industrial components (EG000017) / Optical module for signal tower (EC000232)

Electric engineering, automation, process control engineering / Low-voltage switch technology / Command and alarm device / Optical module for signal tower (ecl@ss8-27-37-12-20 [AKF038010])

Function

Continuous light

Colour

Orange

Outer diameter

mm

73

Degree of protection (IP)

IP66

Operating voltage at AC 50 Hz

V

230 - 240

Operating voltage at AC 60 Hz

V

230 - 240

Operating voltage at DC

V

0 - 0

Voltage type

AC

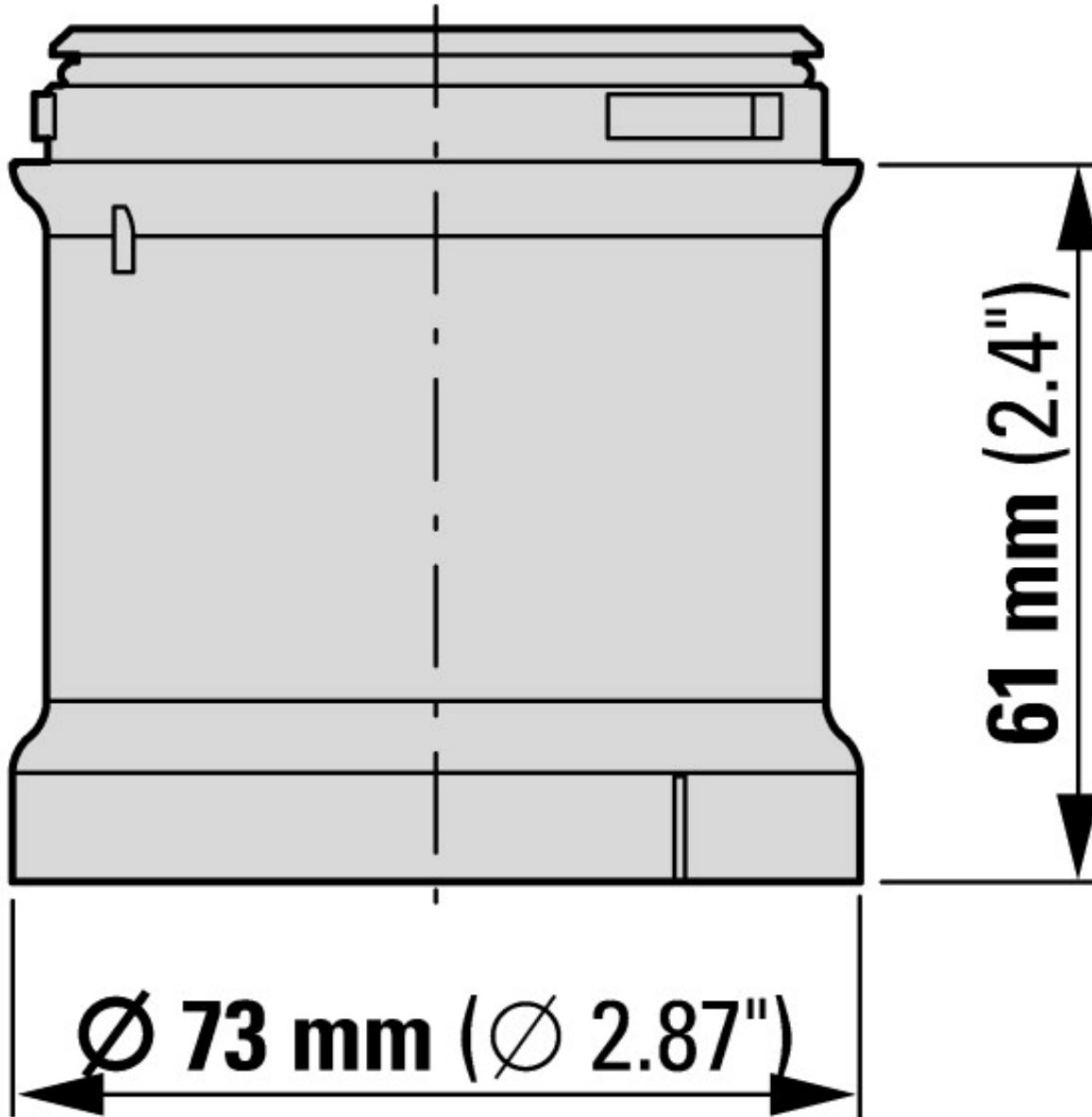
Type of lamp

LED

Colour housing

Black

## Dimensions



## Additional product information (links)

### IL047004ZU SL7 Light Modules, Tone Modules

IL047004ZU SL7 Light Modules, Tone Modules

[ftp://ftp.moeller.net/DOCUMENTATION/AWA\\_INSTRUCTIONS/IL047004ZU2013\\_02.pdf](ftp://ftp.moeller.net/DOCUMENTATION/AWA_INSTRUCTIONS/IL047004ZU2013_02.pdf)

IL047004ZU SL7, modules lumineux, modules sonores

[ftp://ftp.moeller.net/DOCUMENTATION/AWA\\_INSTRUCTIONS/IL047004ZU2013\\_02.pdf](ftp://ftp.moeller.net/DOCUMENTATION/AWA_INSTRUCTIONS/IL047004ZU2013_02.pdf)