



Part no.
Article no.

SL7-FMS-100
171456

Catalog No.

SL7-FMS-100

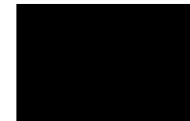
Delivery programme

Product range
Basic function
Connection technique
Mounting type
Fitted with

SL7 signal towers
Base module
Screw terminals
for horizontal mounting
Base with base adapter for slipping
onto place (rapid mounting and wiring
system)
including cover
100 mm
max. 5 modules

Tube length
Number of modules
Colour

black
Aluminum color tube



For use with

SL7-L-...
SL7-BL-...
SL7-FL-...
SL7-AP-...
no

Connection to SmartWire-DT

Approvals

Product Standards
UL File No.
UL Category Control No.
CSA File No.
CSA Class No.
North America Certification
Degree of Protection

IEC/EN 60947-5-1; UL 508; CSA-C22.2 No. 14-10; CSA-C22.2 No. 94-91; CE marking
E29184
NKCR
UL report applies to both US and Canada
NKCR7
UL listed, certified by UL for use in Canada
UL Type 4, 4X, 13

General

Standards
Climatic proofing
Mounting position
Mechanical shock resistance
IEC degree of protection
Protection type UL
Cap colour
Ambient temperature
Number of signal elements
Terminal capacity
Solid or flexible conductor
Flexible with ferrule with plastic collar

| | | |
|--|-----------------|--|
| | | IEC/EN 60947-5-1 |
| | | Damp heat, constant, to IEC 60068-2-78 Damp heat, cyclic, to IEC 60069-2-30 |
| | | As required |
| | g | > 15 according to IEC 60068-2-27 Shock duration 11 ms Sinusoidal |
| | | IP66 IEC/EN 60529 |
| | | Type 4, 4X, 13 |
| | | black Aluminum color tube |
| | °C | -30 - +60 |
| | | Max. 5 with standard base Max. 10 with base for mounting on both sides |
| | mm ² | 0.13 - 2.5 |
| | mm ² | 0.25 - 1.5 |
| | | AWG 24 - AWG 14 |

Contacts

Rated impulse withstand voltage

| | | |
|-----------|---------|-------|
| U_{imp} | V AC | 4000 |
| U_i | V | 250 |
| | | III/3 |

Rated insulation voltage

Overvoltage category/pollution degree

Module

Voltage levels

| | | |
|--|--|---|
| | | 24 V AC/DC \pm 10 % 110/120 V AC \pm 10 % 230/240 V AC \pm 10 % |
|--|--|---|

Technical data ETIM 5.0

Low-voltage industrial components (EG000017) / Connection module for signal tower (EC001152)

Electric engineering, automation, process control engineering / Low-voltage switch technology / Command and alarm device / Signal column element, connection module
(ecl@ss8-27-37-12-32 [AKF050010])

Connection type auxiliary circuit

Screw connection

Tube mounting possible

No

Bracket mounting possible

Yes

Floor mounting possible

Yes

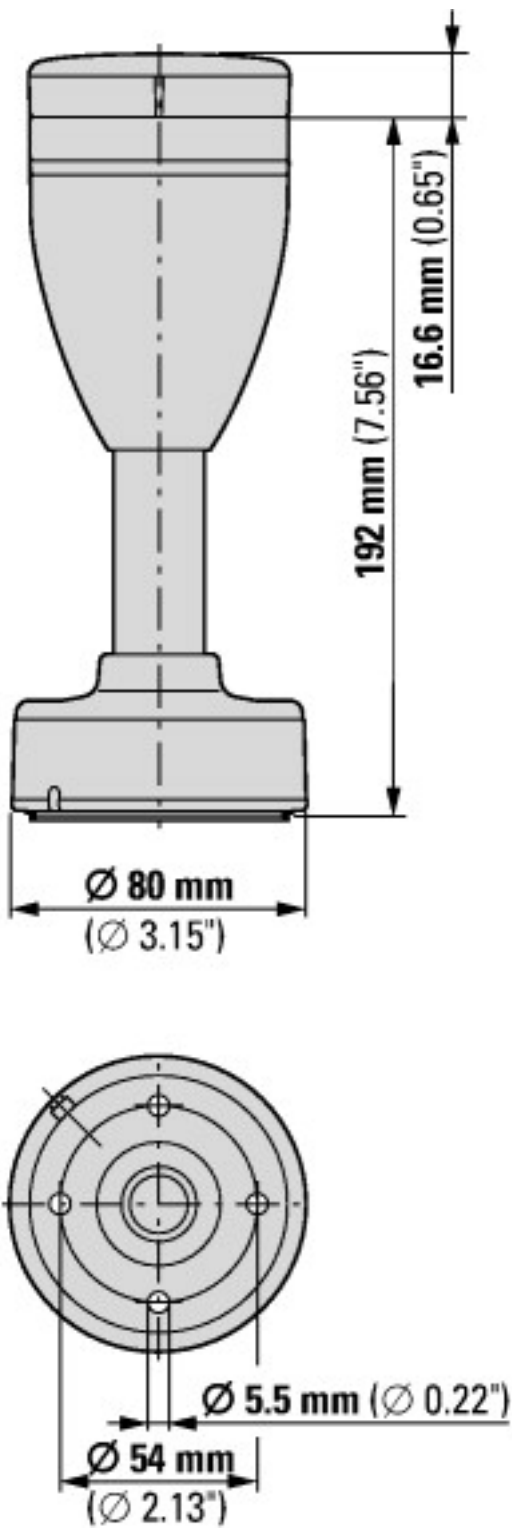
Colour

-

Suitable for AS interface

No

Dimensions



Additional product information (links)

| | |
|--|---|
| IL047007ZU SL4/7 quick mount base | |
| IL047007ZU SL4/7 quick mount base | ftp://ftp.moeller.net/DOCUMENTATION/AWA_INSTRUCTIONS/IL047007ZU2013_02.pdf |
| IL047007ZU SL4/7 pied de montage rapide | ftp://ftp.moeller.net/DOCUMENTATION/AWA_INSTRUCTIONS/IL047007ZU2013_02.pdf |
| IL047002ZU SL4 Drill pattern | |
| IL047002ZU SL4 Drill pattern | ftp://ftp.moeller.net/DOCUMENTATION/AWA_INSTRUCTIONS/IL047002ZU2013_02.pdf |
| IL047002ZU plan de perçage pour SL4 | ftp://ftp.moeller.net/DOCUMENTATION/AWA_INSTRUCTIONS/IL047002ZU2013_02.pdf |