



Part no.
Article no.

SL7-CB-100
171443



Powering Business Worldwide™

Catalog No.

SL7-CB-100

Delivery programme

Product range
Basic function
Connection technique
Mounting type
Fitted with

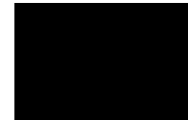
Tube length
Number of modules
Colour

For use with

Connection to SmartWire-DT

SL7 signal towers
Base module
Spring-loaded terminals
for horizontal mounting
Base with aluminium tube and plastic
foot
including cover
100 mm
max. 5 modules

black
Aluminum color tube



SL7-L-...
SL7-BL-...
SL7-FL-...
SL7-AP-...
no

Approvals

Product Standards
UL File No.
UL Category Control No.
CSA File No.
CSA Class No.
North America Certification
Degree of Protection

IEC/EN 60947-5-1; UL 508; CSA-C22.2 No. 14-10; CSA-C22.2 No. 94-91; CE marking
E29184
NKCR
UL report applies to both US and Canada
NKCR7
UL listed, certified by UL for use in Canada
UL Type 4, 4X, 13

General

Standards
Climatic proofing
Mounting position
Mechanical shock resistance
IEC degree of protection
Protection type UL
Cap colour
Ambient temperature
Number of signal elements
Terminal capacity
Solid or flexible conductor
Flexible with ferrule with plastic collar

		IEC/EN 60947-5-1
		Damp heat, constant, to IEC 60068-2-78 Damp heat, cyclic, to IEC 60069-2-30
		As required
	g	> 15 according to IEC 60068-2-27 Shock duration 11 ms Sinusoidal
		IP66 IEC/EN 60529
		Type 4, 4X, 13
		black Aluminum color tube
	°C	-30 - +60
		Max. 5 with standard base Max. 10 with base for mounting on both sides
	mm ²	0.13 - 2.5
	mm ²	0.25 - 1.5
		AWG 24 - AWG 14

Contacts

Rated impulse withstand voltage

U_{imp}	V AC	4000
Rated insulation voltage	U_i	V 250
Overvoltage category/pollution degree		III/3

Rated insulation voltage

Overvoltage category/pollution degree

Module

Voltage levels

		24 V AC/DC \pm 10 % 110/120 V AC \pm 10 % 230/240 V AC \pm 10 %
--	--	---

Technical data ETIM 5.0

Low-voltage industrial components (EG000017) / Connection module for signal tower (EC001152)

Electric engineering, automation, process control engineering / Low-voltage switch technology / Command and alarm device / Signal column element, connection module (ecl@ss8-27-37-12-32 [AKF050010])

Connection type auxiliary circuit

Spring clamp connection

Tube mounting possible

No

Bracket mounting possible

Yes

Floor mounting possible

Yes

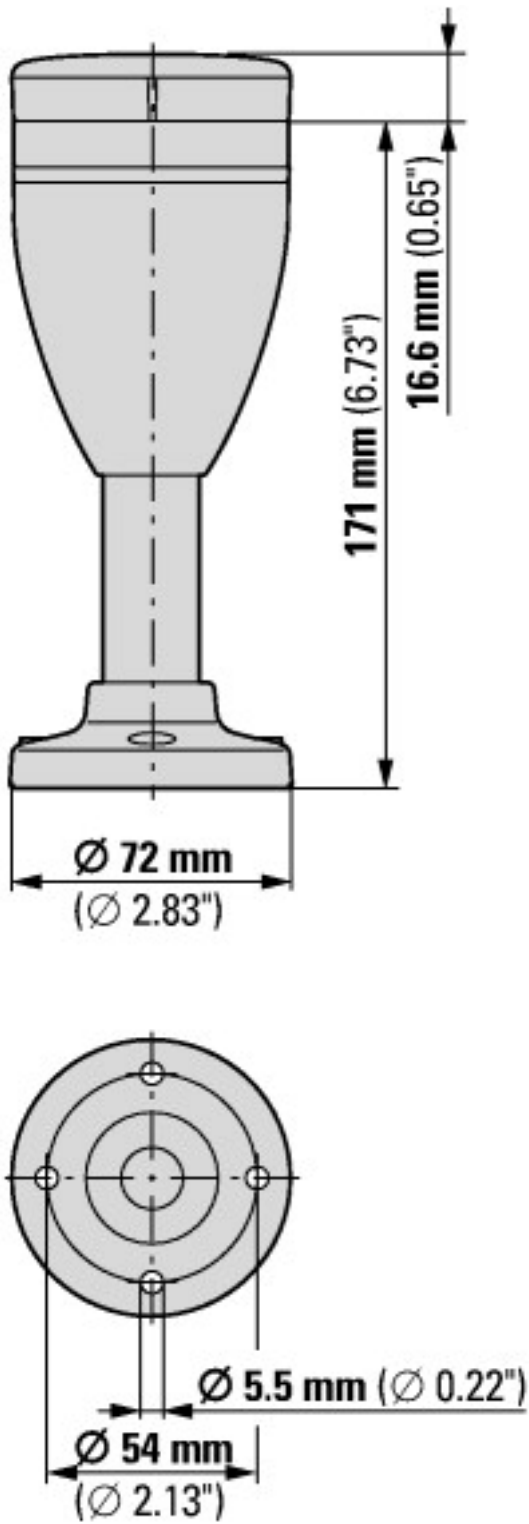
Colour

-

Suitable for AS interface

No

Dimensions



Additional product information (links)

IL047003ZU SL7 Base Units

IL047003ZU SL7 Base Units

ftp://ftp.moeller.net/DOCUMENTATION/AWA_INSTRUCTIONS/IL047003ZU2013_02.pdf