



Part no.
Article no.
Catalog No.

SL7/4-FW-T
171455
SL7/4-FW-T



Powering Business Worldwide™

Delivery programme

Product range
Basic function
Basic function accessories
Mounting type
Material
For use with
Connection to SmartWire-DT

SL7 signal towers
SL4 signal towers
Accessories
Including mounting bracket M20 cable gland for vertical mounting
Metal
Gasket included as standard
SL4-PIB-T...
SL7-CB-T...
no

Approvals

Product Standards
UL File No.
UL Category Control No.
CSA File No.
CSA Class No.
North America Certification
Degree of Protection

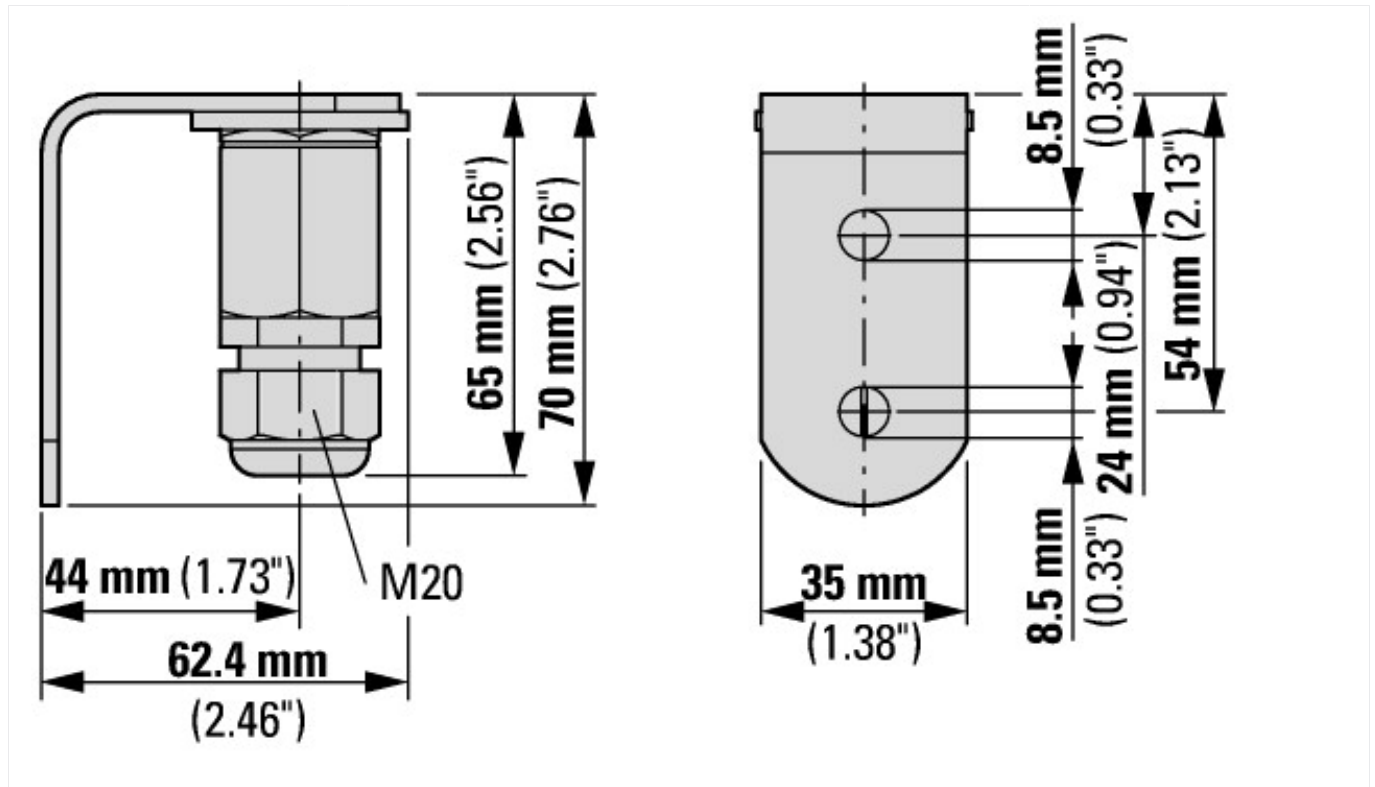
IEC/EN 60947-5-1; UL 508; CSA-C22.2 No. 14-10; CSA-C22.2 No. 94-91; CE marking
E29184
NKCR
UL report applies to both US and Canada
NKCR7
UL listed, certified by UL for use in Canada
UL Type 4, 4X, 13

Technical data ETIM 5.0

Low-voltage industrial components (EG000017) / Wall bracket for signal tower (EC001153)
Electric engineering, automation, process control engineering / Low-voltage switch technology / Command and alarm device / Signal column element, attaching bracket (ecl@ss8-27-37-12-33 [AKF051010])
Mounting method
Colour

Wall mounting

Dimensions



Additional product information (links)

IL047006ZU SL4/7 Accessories

IL047006ZU SL4/7 Accessories

ftp://ftp.moeller.net/DOCUMENTATION/AWA_INSTRUCTIONS/IL047006ZU2013_02.pdf