



## Star-delta switch Surface mounting



Powering Business Worldwide™

**Part no.** T3-5-15876/12

**Article no.** 207537

### Delivery programme

Product range			Switch-disconnectors
Basic function			Reversing star-delta switches
Part group reference			T3
Design			Surface mounting
Protection type			IP65
			<b>totally insulated</b>
Emergency stop			without emergency switching off/emergency stop function
			with black thumb grip and front plate two-way operating direction
Contact sequence			
Front plate no.			 <b>FS 638</b>
Main conducting paths			
No. of poles		M	3
Max. motor rating			
AC-23A			
400/415 V 50-60 Hz	P	kW	13
Rated uninterrupted current	I <sub>u</sub>	A	32

### Approvals

Product Standards  
UL File No.  
UL CCN  
CSA File No.  
CSA Class No.  
NA Certification  
Specially designed for NA  
Suitable for  
Degree of Protection

UL 508; CSA-C22.2 No. 14-05; CSA-C22.2 No. 94; IEC/EN 60947-3; CE marking  
E36332  
NLRV  
12528  
3211-05  
UL listed, CSA certified  
Yes, in combination with "+NA-I2" (105866)  
Branch circuits, suitable as motor disconnect  
IEC: IP65; UL/CSA Type 3R, 12

### General

Standards			IEC/EN 60947, VDE 0660, IEC/EN 60204, CSA, UL Switch-disconnectors to IEC/EN 60947-3 Load-break switches to IEC/EN 60947-3
Lifespan, mechanical	Operations	x 10 <sup>6</sup>	0.5

Maximum operating frequency		Operations	3000
Climatic proofing			Damp heat, constant, to IEC 60068-2-78; Damp heat, cyclical, to IEC 60068-2-30
Ambient temperature		°C	
Open		°C	- 25 - 50
Enclosed		°C	- 25 - 40
Mounting position			As required
Mechanical shock resistance to IEC 60068-2-27	Half-sinusoidal shock 20 ms	g	> 15

## Contacts

Rated operational voltage	$U_e$	V AC	690
Rated impulse withstand voltage	$U_{imp}$	V AC	6000
Overvoltage category/pollution degree			III/3
Rated uninterrupted current	$I_u$	A	
open	$I_u$	A	32
Enclosed	$I_u$	A	32
Load rating with intermittent operation, class 12			
AB 25 % DF		$x I_e$	2
AB 40 % DF		$x I_e$	1.6
AB 60 % DF		$x I_e$	1.3
Short-circuit rating			
Fuse		A gG/ gL	35
Rated short-time withstand current (1 s current)	$I_{cw}$	$A_{rms}$	650
Safe isolation to VDE 0106 Part 101 and Part 101/A1			
between the contacts		V AC	440
Switching angles		°	90 60 45 30
Contact units			11
Double-break contacts			max. 22
Current heat loss per contact at $I_e$		W	1.1

## Terminal capacities

Solid or stranded		mm <sup>2</sup>	1 x (1 - 6) 2 x (1 - 6)
Flexible with ferrule to DIN 46228		mm <sup>2</sup>	1 x (0.75 - 4) 2 x (0.75 - 4)
Terminal screw			M4
Tightening torque		Nm	2

## Switching capacity

AC		$x U_s$	
Rated making capacity $\cos \varphi = 0.35$		A	320
Rated breaking capacity, motor load switch $\cos \varphi = 0.35$		A	
230 V		A	260
400 V		A	260
500 V		A	240
690 V		A	170
Rated operational current 440 V load-break switch AC-21A	$I_e$	A	32
Rating, AC-3 motor load switch	P	kW	
220 V 230 V	P	kW	7.5
230 V Star-delta	P	kW	11
380 V 400 V	P	kW	18.5
400 V Star-delta	P	kW	18.5

500 V	P	kW	15
500 V Star-delta	P	kW	22
660 V 690 V	P	kW	22
690 V Star-delta	P	kW	22
AC-23A Motor load switches (main switches maintenance switches)	P	kW	
230 V	P	kW	7.5
400 V	P	kW	13
500 V	P	kW	15
Rated operational current control switch AC-15			
220 V 230 V 240 V	I <sub>e</sub>	A	10
380 V 400 V 415 V	I <sub>e</sub>	A	6
500 V	I <sub>e</sub>	A	4
DC		x U <sub>s</sub>	
DC-1, Load-break switches L/R = 1 ms			
Rated operational current	I <sub>e</sub>	A	25
Voltage per contact pair in series		V	60
DC-21A	I <sub>e</sub>	A	
Rated operational current 240 V	I <sub>e</sub>	A	1
240 V Contacts		Quantity	1
DC-23A, motor load switch L/R = 15 ms			
24 V			
Rated operational current	I <sub>e</sub>	A	25
Contacts		Quantity	1
48 V			
Rated operational current	I <sub>e</sub>	A	25
Contacts		Quantity	2
60 V			
Rated operational current	I <sub>e</sub>	A	25
Contacts		Quantity	3
120 V			
Rated operational current	I <sub>e</sub>	A	12
Contacts		Quantity	3
240 V			
Rated operational current	I <sub>e</sub>	A	5
Contacts		Quantity	5
DC-13, Control switches L/R = 50 ms			
Rated operational current	I <sub>e</sub>	A	20
Voltage per contact pair in series		V	32
Control circuit reliability at 24 V DC, 10 mA	Fault probability	H <sub>F</sub>	< 10 <sup>-5</sup> , < 1 fault in 100000 operations

## Notes

**Notes** Mechanical shock resistance: >12g

The following applies for solid, multiwire, and flexible terminal capacities:

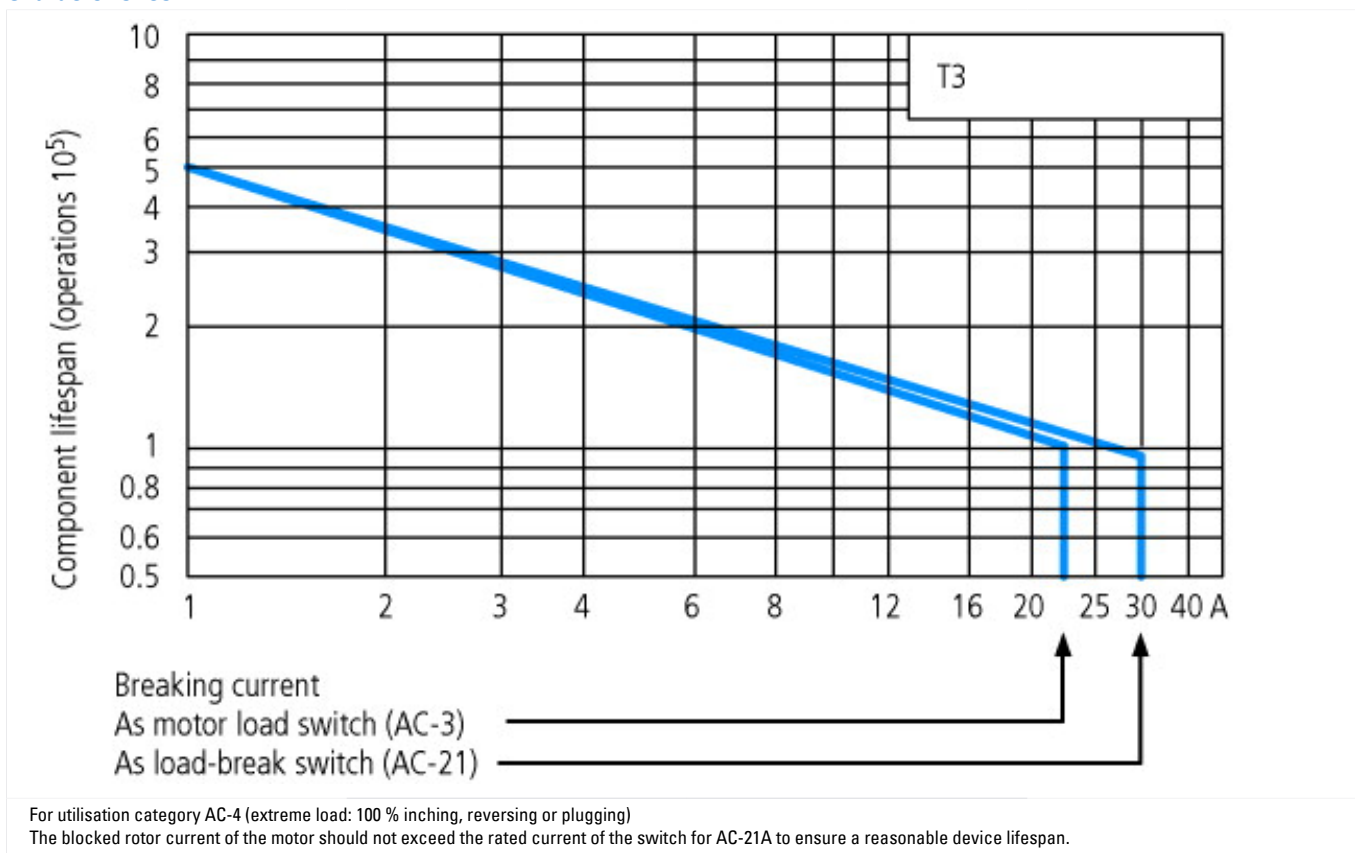
If 2 conductors are being used, a max. difference of 2 cross-section categories is permissible

## Technical data ETIM 4.0

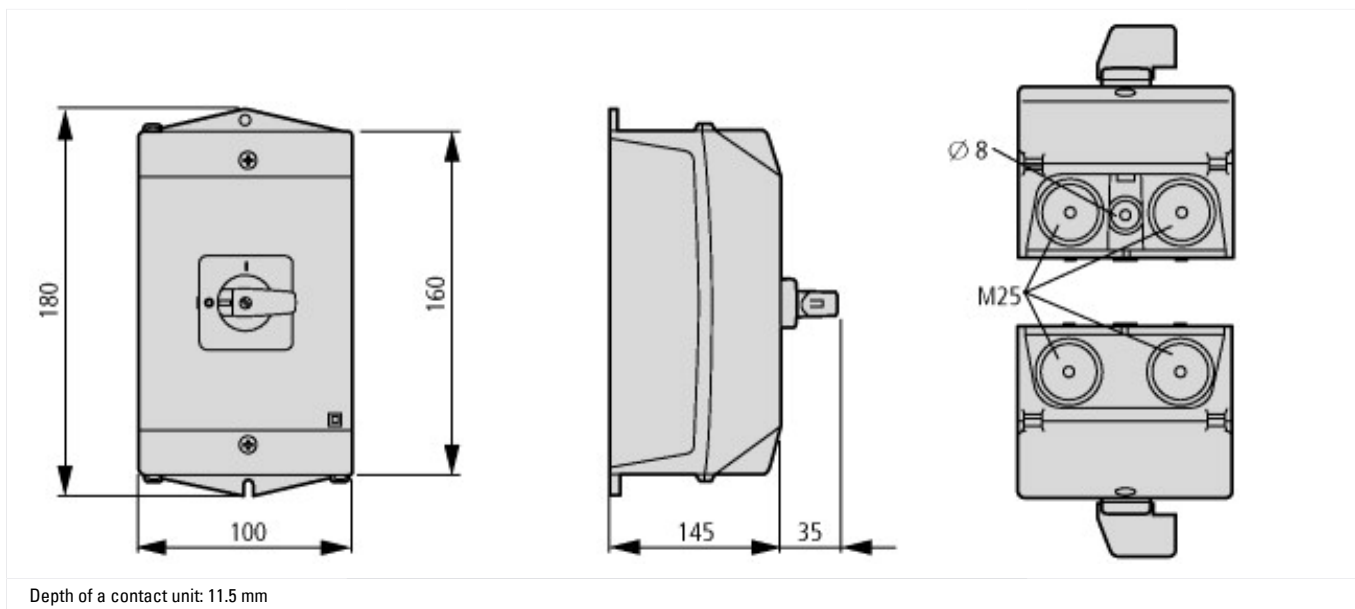
Number of auxiliary contacts as N/Cs			0
With 0 (off) position			YES
Type			Star-delta switches
Motor rating at AC-3, 400 V		kWh	18.5
Number of auxiliary contacts as N/Os			0
Suitable for front mounting			No
Protection type (IP), at front			IP65
Rated uninterrupted current I <sub>u</sub>		A	32
Suitable for base fixing			YES
Number of auxiliary contacts as changeover contacts			0

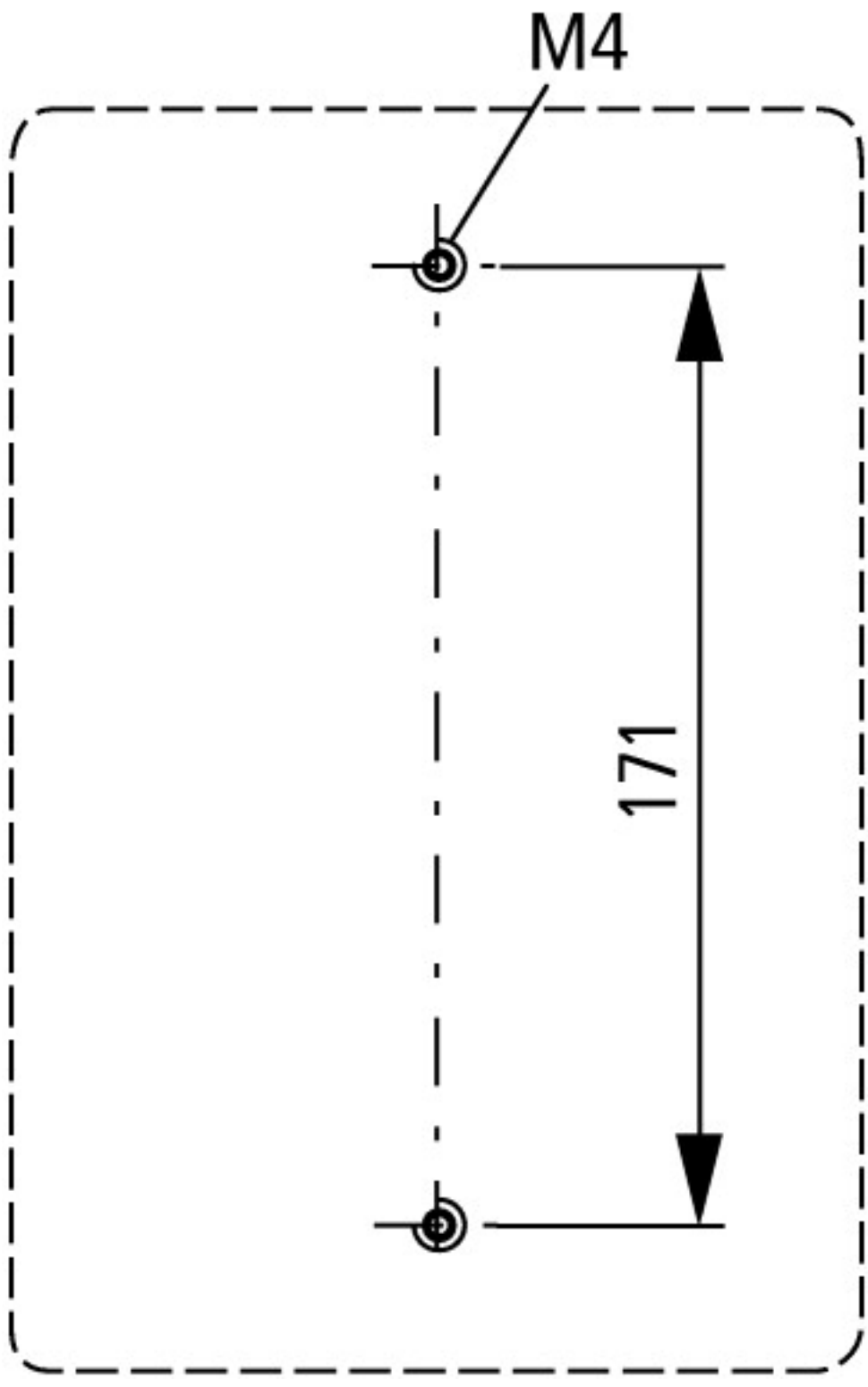
Suitable for distribution board installation		No
Suitable for rear mounting		No
Complete device in housing		YES
Type of control element		Toggle
Number of poles		3
Connection type main circuit		Screw connection

### Characteristics



### Dimensions





Diameter of drilled hole Bottom

**Additional product information (links)**

**IL03801008Z (AWA1150-1688) Cam switch: Surface mounting enclosure**

IL03801008Z (AWA1150-1688) Cam switch: Surface mounting enclosure

[ftp://ftp.moeller.net/DOCUMENTATION/AWA\\_INSTRUCTIONS/IL03801008Z2011\\_06.pdf](ftp://ftp.moeller.net/DOCUMENTATION/AWA_INSTRUCTIONS/IL03801008Z2011_06.pdf)

<http://ecat.moeller.net/flip-cat/?edition=HPLEN&startpage=4.87>

<http://ecat.moeller.net/flip-cat/?edition=K115A&startpage=52>