

CX CONVENTIONAL MANUAL CALLPOINTS

AVERTISSEURS D'INCENDIE MANUELS ADRESSABLES
 AUFRUFBARE MANUELLE FEUERMEDELSTELLEN
 ADRESSEERBARE HANDMELDPUNTEN
 ADRESSERBART MANUELL LARMPUNKT
 PULSADOR MANUAL DIRECCIONABLE
 AVVISATORI DI INCENDIO MANUALI INDIRIZZABILI
 ΔΙΕΥΘΥΝΣΙΟΔΟΤΟΥΜΕΝΑ ΧΕΙΡΟΚΙΝΗΤΑ ΜΠΟΥΤΟΝ
 ΑΝΑΓΓΕΛΙΑΣ ΠΥΡΚΑΓΙΑΣ



CX/GP/R/*
 CXL/GP/R/*
 CXM/CO/GP/R/

CX/GP/R/WP/*
 CXL/GP/R/WP/*
 CXM/CO/GP/R/WP

*Includes 470, 680 & 4V7 Versions

EN54-11 Fire Alarm Device - Manual Callpoint

EN 54-11 Dispositif d'alarme incendie - Avertisseur d'incendie manuel

EN54-11 Feueralarmgerät – manuelle Feuermeldestelle

EN54-11 Brandmeldinstallatie - handmeldpunt

EN54-11 Brandlarmsenhet - Manuell larmpunkt

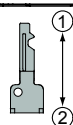
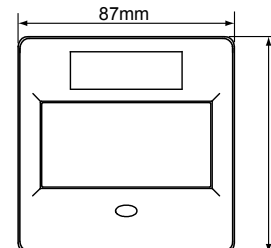
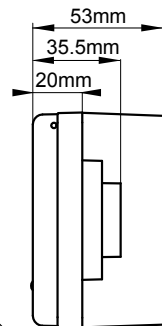
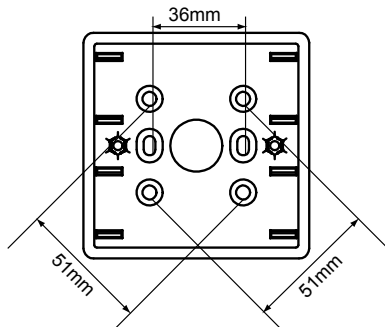
EN54-11 Dispositivo de alarma de fuego - Pulsador manual

EN54-11 Dispositivo di rivelazione incendio - Avvisatore manuale

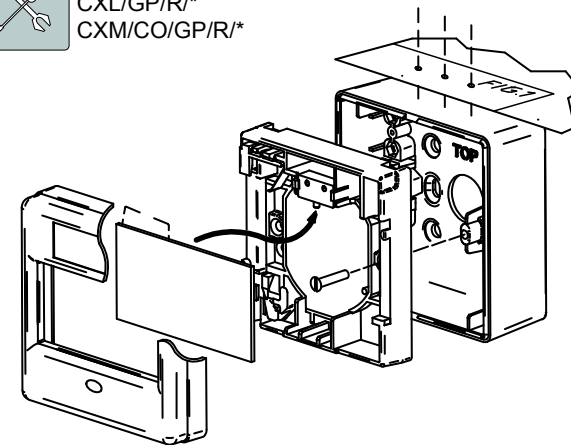
Ευρωπαϊκό Πρότυπο EN54-11 Συσκευή Συναγερμού
 Πυρκαγιάς – Χειροκίνητο Μπουτόν Αναγγελίας Ευρωπαϊκό Πρότυπο

CX/GP/R CXL/GP/R	CXM/CO/GP/R	CX/GP/R/WP CXL/GP/R/WP	CXM/CO/GP/R/WP	
9-30VDC				
470 or 680 or 4V7 Zener	3A SPCO	470 or 680 or 4V7 Zener	3A SPCO	
FIRETUF, FP200 or MICC 0.28mm ² ~ 2.5mm ²				
-10°C to +55°C (95%RH)		-25°C ~ +70°C (75%RH)		
ABS V0				

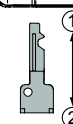
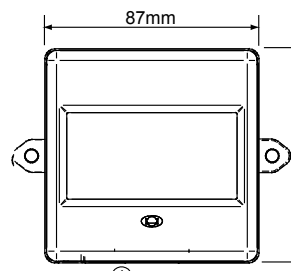
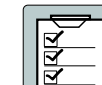
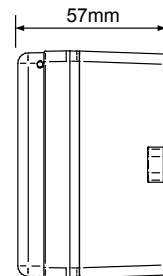
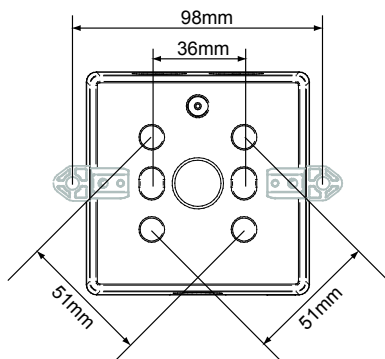
CX/GP/R/*
 CXL/GP/R/*
 CXM/CO/GP/R/*



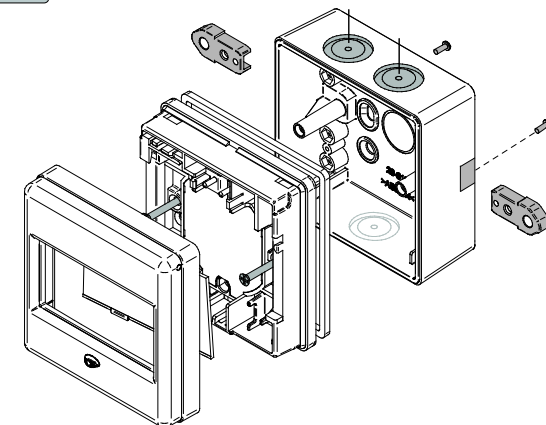
CX/GP/R/*
 CXL/GP/R/*
 CXM/CO/GP/R/*



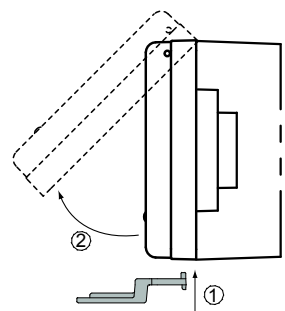
CX/GP/R/WP/*
 CXL/GP/R/WP/*
 CXM/CO/GP/R/WP/*



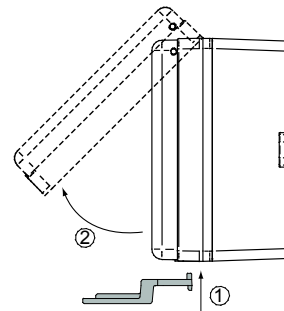
CX/GP/R/WP/*
 CXL/GP/R/WP/*
 CXM/CO/GP/R/WP/*



CX/GP/R/*
 CXL/GP/R/*
 CXM/CO/GP/R/*



CX/GP/R/WP/*
 CXL/GP/R/WP/*
 CXM/CO/GP/R/WP/*



Llantarnam Park, Cwmbran
 South Wales, NP44 3AW
 Tel: 01633 628500

www.cooperfulleon.com

0832-CPD-0804
 0832-CPD-0805

0832-CPD-0580
 0832-CPD-0744
 0832-CPD-0904
 0832-CPD-0905

25-6019-G

FIG.1

