

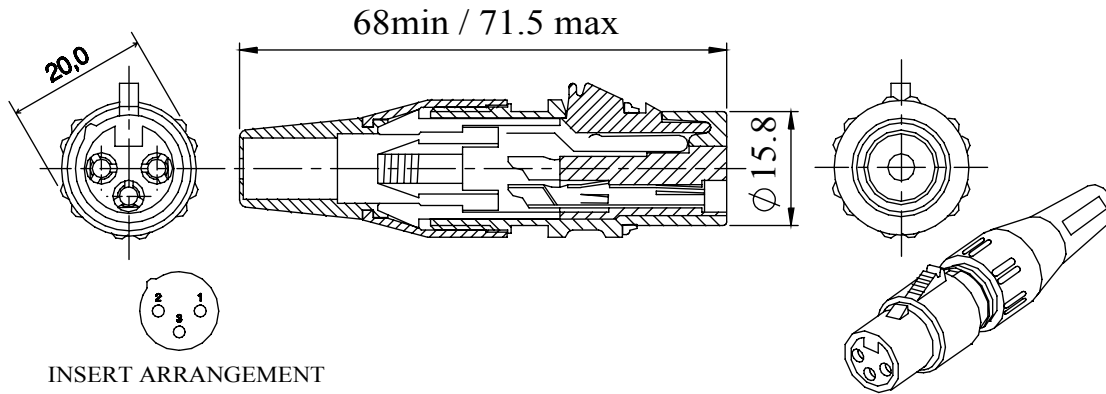
A range of audio & video connectors incorporating many innovative features. Assembly and disassembly is screw less and is achieved by a few quick turns of the back shell.

- a range of coloured plastic coding rings, each with a single number moulded in, offer a quick and easy system of channel identification.
- Internal design features allow for a quick and simple insert assembly.
- pressed socket contacts which 'float' to assist plug mating, also ensuring a positive 'wrap-round' contact with the pin, since they can 'move' with the pins should any movement occur between mating connectors.
- A single piece latch which is simple to operate, mating smoothly with both lockable and non-latching connectors.
- The strain relief collet ensures a positive cable grip.

### Mechanical Properties

Cable Retention	Chuck and Screw Collar
Cable Range	Ø 2,8mm to Ø 8,0mm
Housing	Zinc high pressure diecasting
Contact Base	Valox DR48
Contacts	Phos Bronze (pressed), 3 m silver Anti-tarnish finish, or 0,5 m gold Zinc high pressure diecasting Satin nickel or black chrome
Latch	P.V.C. (black)
Strain Relief	Santoprene (UL 94 HB)
Sealing Ring	Acetal (UL 94 HB)
Chuck	Zinc high pressure diecasting
Screw Collar	Satin nickel or black chrome
Screen	Spring Steel, 3 m silver anti-tarnish
Interchangeable Connector Ident	Spring-on coloured rings
Ident Options	Acetal (UL94 HB) Black, Brown, Red, Orange, Yellow, Green, Blue, Violet Grey, White

### Dimensions



### Electrical

Rated Voltage	50 V a.c.
Test Voltage	1000 V r.m.s.
Insulation Resistance	103 MΩ
After damp heat	500 MΩ
Contact Resistance	10 mΩ max
Current Rating at 40 deg C	3 pin - 15 amp 4 pin - 10 5 pin - 7.5 amp
Current Rating at 70 deg C	3 pin - 7.5 amp 4 pin - 5 5 pin - 3 amp
Terminal wire sizes	3 pin 2.5 mm <sup>2</sup> / 14 AWG 4 pin 1.5 mm <sup>2</sup> / 16 AWG 5 pin 1.0 mm <sup>2</sup> / 18 AWG
Climatic	
Climatic category	25/070/04
Temperature Range	-25°C to +70°C
Damp heat, steady state	4 days

Deltron Part No	Silver Contacts		Gold Contacts	
	Nickel	Black	Nickel	Black
3-Way	700-0300	708-0300	704-0300	712-0300

**RoHS**  
2002/95/EC  
Compliant

Tel No. +44(0)1724 273200 Website www.dem-uk.com

PROPRIETARY AND CONFIDENTIAL  
THE INFORMATION CONTAINED IN THIS DRAWING IS THE SOLE PROPERTY OF  
ALPHA 3 MANUFACTURING.  
ANY REPRODUCTION IN PART OR AS A WHOLE WITHOUT THE WRITTEN PERMISSION OF  
ALPHA 3 MANUFACTURING IS PROHIBITED.

UNLESS OTHERWISE SPECIFIED:  
DIMENSIONS ARE IN MILLIMETRES  
LINEAR TOLERANCE:  
NO DECIMAL PLACES ±0.5mm  
1 DECIMAL PLACE ±0.25mm  
2 DECIMAL PLACES ±0.125mm  
ANGULAR TOLERANCE: ±1°



DEM Manufacturing, Deltron Emcon House  
Hargreaves Way, Sawcliffe Ind. Park,  
Scunthorpe, North Lincolnshire, DN15 8RF, UK

FINISH	PROFESSIONAL QUALITY CABLE SOCKET	DEBURR AND BREAK SHARP EDGES
MATERIAL	SEE NOTE	

DRAWN BY	SPB
APPROVED BY	WC
THIRD ANGLE PROJECTION	

SHEET 1 OF 1
SCALE 1:1
A4

TITLE	GENERAL SPECIFICATION MULTIPOLE CONNECTORS CABLE SOCKET
DRAWING NO.	700-704-708-712 3 WAY
ISSUE	07
	Release