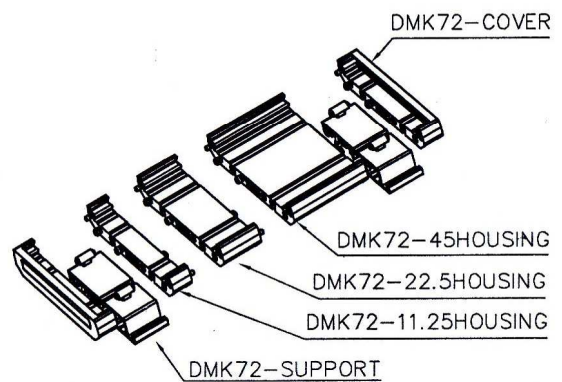
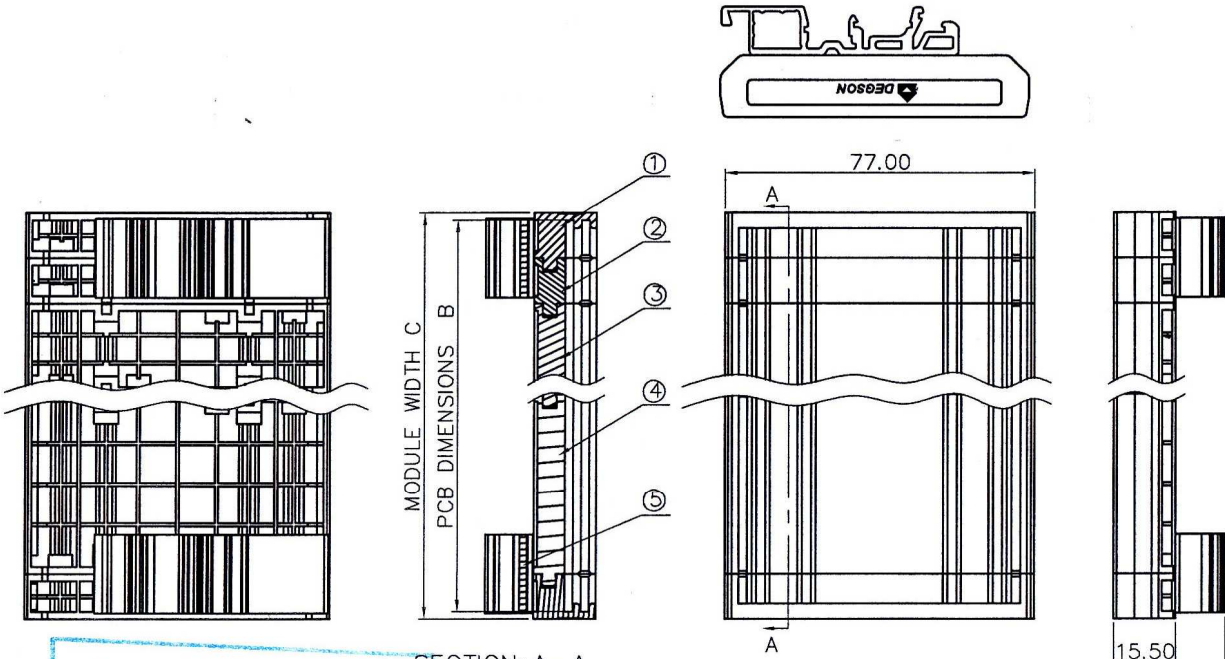


REVISION RECORD				
REV	ECN	DESCRIPTION	DRFT	DATE
(T0-2)		更改品名	CZM	03/26/15



NOTES:
 1. OPERATION TEMPERATURES: -20°C ~ +50°C
 2. PCB: DIMENSIONS B ±0.2MM
 WIDTH: 72 ±0.1MM;
 THICK: 1.50 ±0.1MM
 3. UNDIMENSIONED TOLERANCES:

PITCH RANGE IN MM		NOMINAL DIMENSION RANGE IN MM				
OVER 10 TO 6	OVER 24 TO 10	OVER 30 TO 24	OVER 60 TO 30	OVER 100 TO 60	OVER 150 TO 100	
±0.10	±0.15	±0.25	±0.20	±0.30	±0.50	±0.70 ±1.00
						0.05/10

仅供参考图
 日期: *2015.3.26*

BOM CHECKLIST

PCB DIMENSIONS BXWXT(MM)	MODULE WIDTH C(MM)	P/N	DMK72 COVER	DMK72 11.25HOUSING	DMK72 22.5HOUSING	DMK72 45HOUSING	DMK72 SUPPORT
20.00X72X1.5	22.50	DMK72-02P-1Y-00AH	2	-	-	-	1
31.25X72X1.5	33.75	DMK72-03P-1Y-00AH	2	1	-	-	1
42.50X72X1.5	45.00	DMK72-04P-1Y-00AH	2	-	1	-	2
53.75X72X1.5	56.25	DMK72-05P-1Y-00AH	2	1	1	-	2
65.00X72X1.5	67.50	DMK72-06P-1Y-00AH	2	-	-	1	2
76.25X72X1.5	78.75	DMK72-07P-1Y-00AH	2	1	-	1	2
87.50X72X1.5	90.00	DMK72-08P-1Y-00AH	2	-	1	1	2
98.75X72X1.5	101.25	DMK72-09P-1Y-00AH	2	1	1	1	2
110.00X72X1.5	112.50	DMK72-10P-1Y-00AH	2	-	-	2	2
121.25X72X1.5	123.75	DMK72-11P-1Y-00AH	2	1	-	2	2
132.50X72X1.5	135.00	DMK72-12P-1Y-00AH	2	-	1	2	2
143.75X72X1.5	146.25	DMK72-13P-1Y-00AH	2	1	1	2	3
155.00X72X1.5	157.50	DMK72-14P-1Y-00AH	2	-	-	3	3
166.25X72X1.5	168.75	DMK72-15P-1Y-00AH	2	1	-	3	3
177.50X72X1.5	180.00	DMK72-16P-1Y-00AH	2	-	1	3	3

ITEM	NAME OF PART	NO. OF PART	Q'TY	MATERIAL	NOTES
5	DMK72-SUPPORT	8019A0Y01BH	N/A	PA66	UL94V-0
4	DMK72-45HOUSING	8019A0Y01DH	N/A	PA66	UL94V-0
3	DMK72-22.5HOUSING	8019A0Y01CH	N/A	PA66	UL94V-0
2	DMK72-11.25HOUSING	8019A0Y01AH	N/A	PA66	UL94V-0
1	DMK72-COVER	8019C0Y01AH	2	PA66	UL94V-0

DETACHED LISTS	MM (INCH)	MATERIAL:	宁波高正电子有限公司			
	TOLERANCES EXCEPT AS NOTED	FINISH:	DEGSON ® DEGSON ELECTRONICS CO., LTD			
	.X ± .XX ± .XXX ±	PART NO.:	NAME: DMK72-XXP-1Y-00AH			
	ANGLES ± 1'	APPD:	TITLE: ASSEMBLY DRAWING		REV	T0-2
THIRD ANGLE PROJECTION	CHKD: <i>Jes 3/26/15</i>	DRAWING NO.: DMK72-E01				
	DRFT: WJ 05/30/14	DO NOT SCALE DRAWING		SCALE 1/1	SHEET 1/1	