

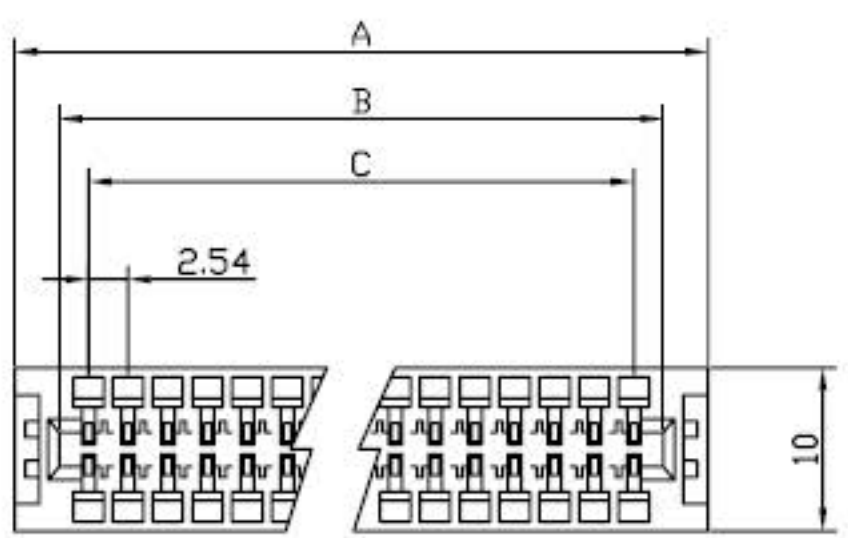
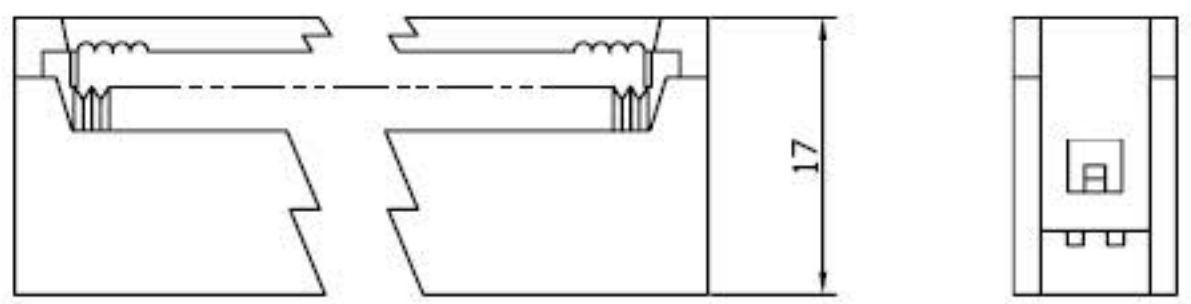
REV.	DESCRIPTION	DRAWN	CHECKED	APPROVED
A	NEW RELEASE	HP 07/06/05		

NOTES:

- SPECIFICATIONS
  - Contact Resistance: 30mΩ max.at DC 100mA
  - Insulation Resistance: 1000MΩ min.
  - Current Rating: 1A
  - Dielectric Withstanding Voltage: AC500V For 1 minute
  - Operating Temperature: -40°C~+105°C
- MATERIALS
  - Contact: Copper Alloy.
  - Housing: THERMOPLASTIC(UL94 V-0).
- PRODUCT NUMBER CODE:
 

EDGE - X X X - TME - 001

  - X: Strain relief
  - B: W/O
  - Contact plated
  - T: Selective gold flash
  - G: All gold flash
  - NO. of contacts
  - 20 26 34



Dimension

Position	A	B	C
20	34.90	28.64	22.86
26	42.50	35.96	30.48
34	52.66	46.12	40.64

GENERAL TOLERANCE	ANGLE TOLERANCE	PROJECTION	TITLE
X. ±0.60	X. ±5°	UNITS	EDGE CONNECTOR 3.96mm
.X ±0.38	.X ±3°	SHEET SIZE	SERIES EDGE SERIES
.XX ±0.25	.XX ±2°		
DRAWING TYPE	CUSTOMER	 <b>晨翔电子有限公司</b> <b>CONNPLY CONNPLY ELECTRONIC CO. LTD</b>	
SCALE	1:1 SHEET 1 OF 1		
DRAWING NO.	C-EDGE-XXX-TME-001		