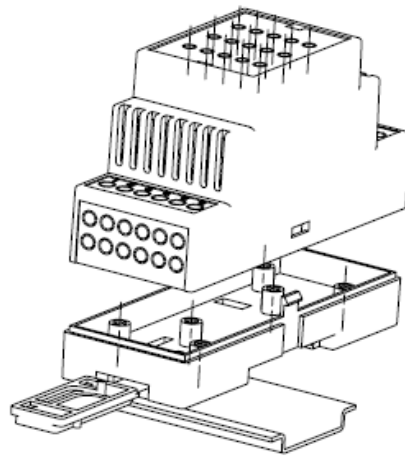
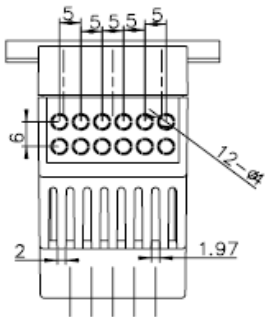


A-A



CP-23-100

*combiplast*