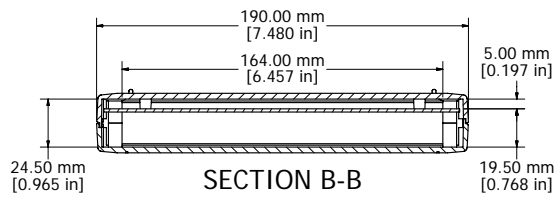
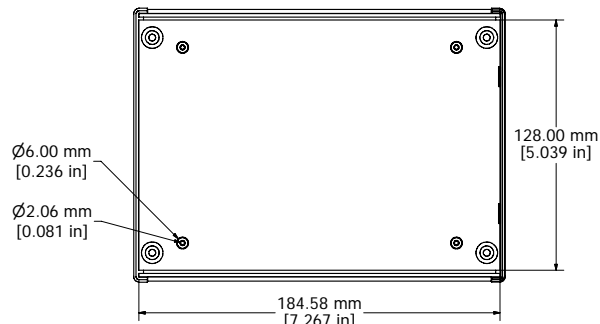


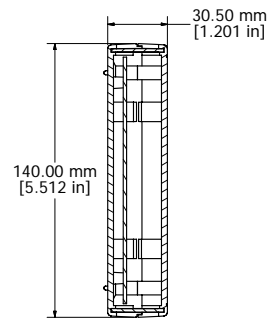
ASSEMBLY - BOTTOM



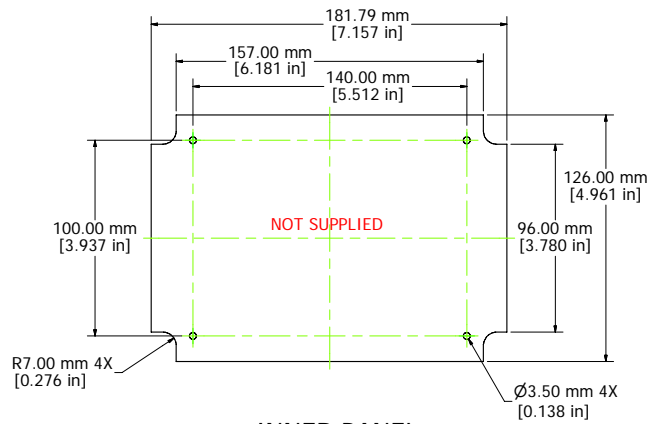
SECTION B-B



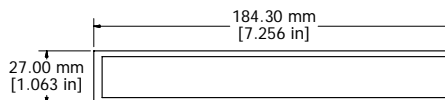
BASE - INSIDE



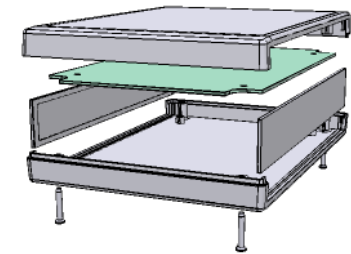
SECTION A-A



INNER PANEL



SIDE PANEL



CP-RM2055S
Material: ABS (UL94-HB), Light Gray color
Lid Screws: M3 x 20
Circuit Board Screws, 4 Supplied (M3 self tap)
Suggested Lid Screw Torque: 30 ozf-in (21 cN-m)

*combiplast*