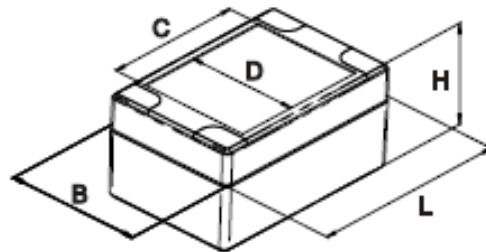
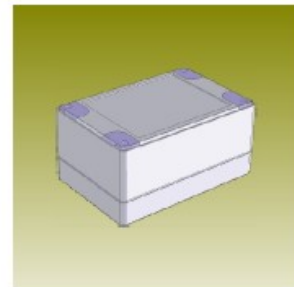
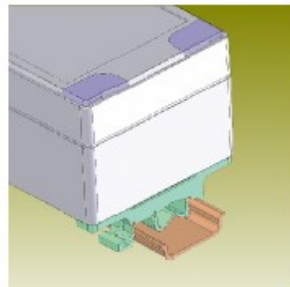
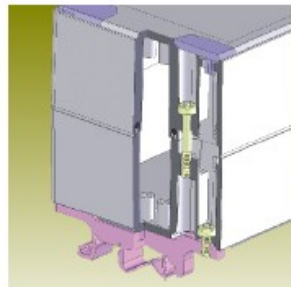
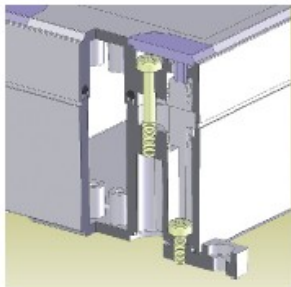
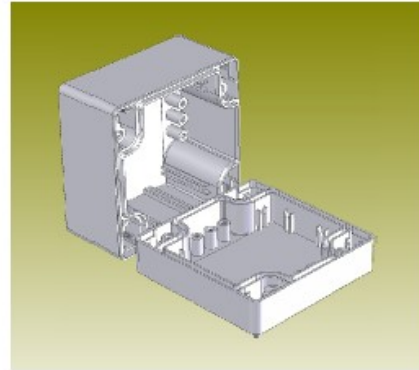
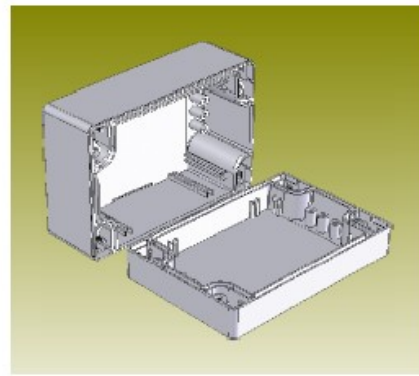
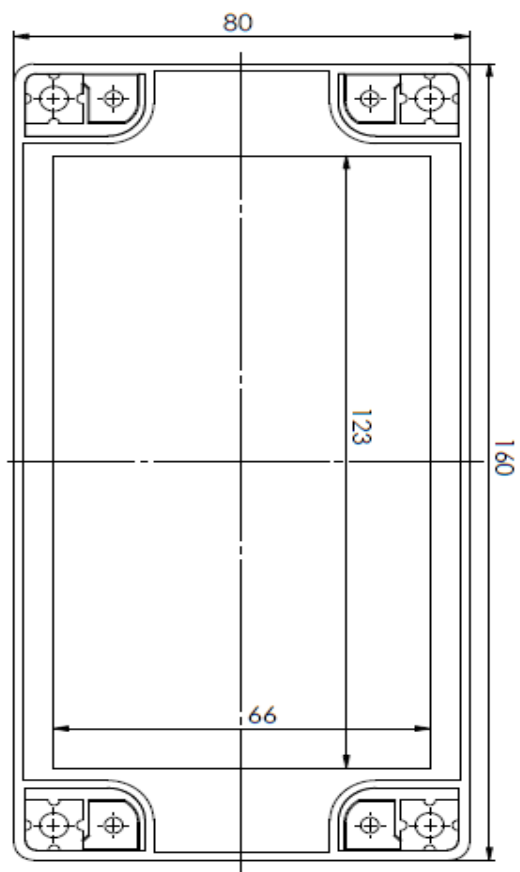
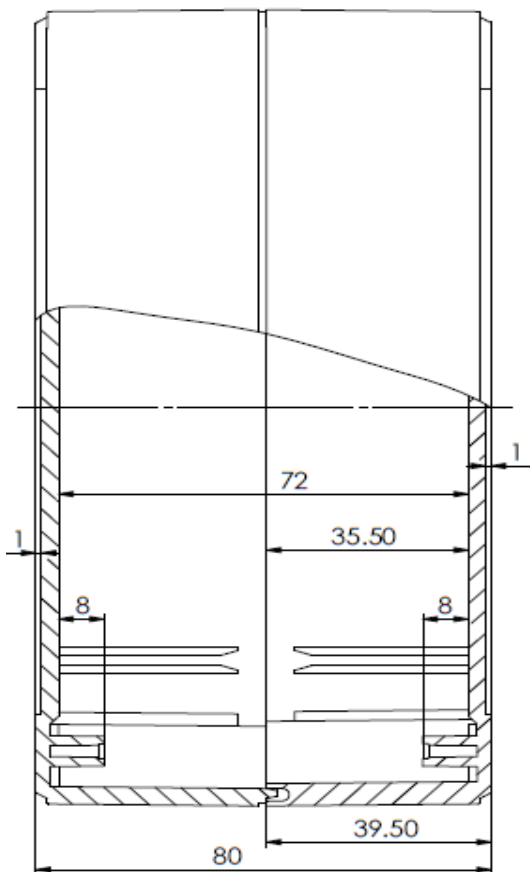
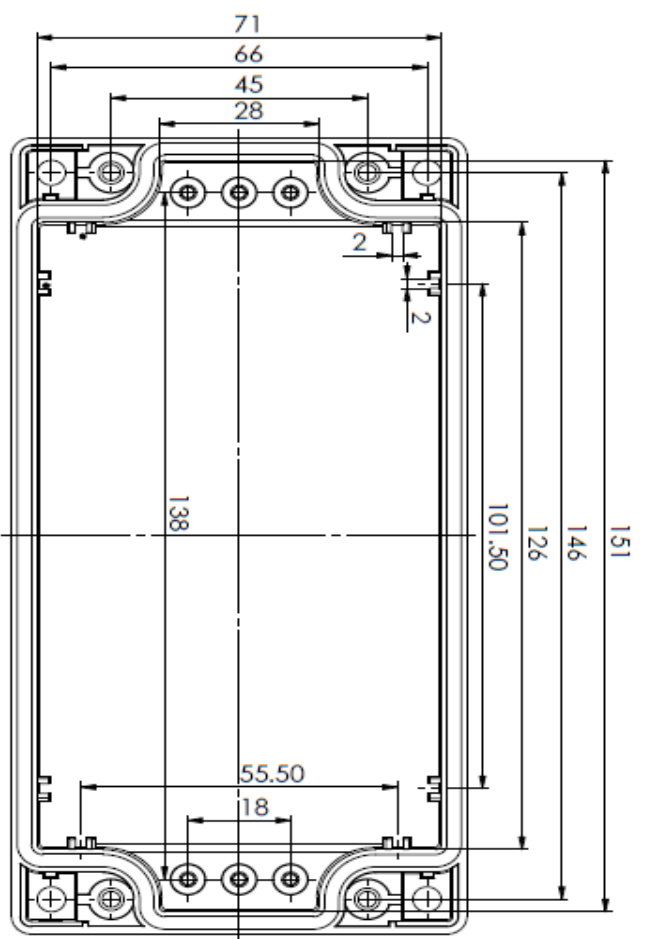
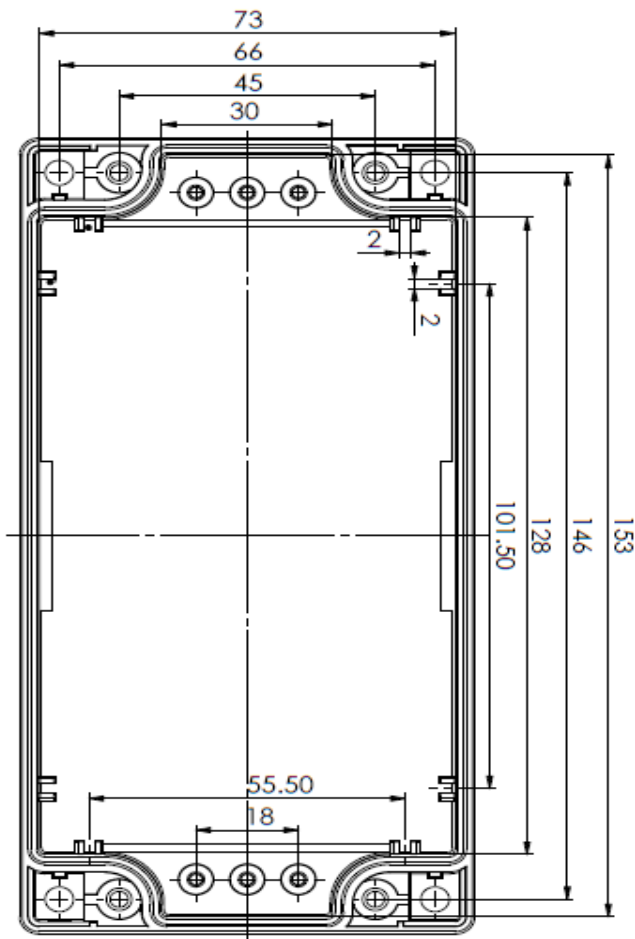


IP
PL



			L	B	H	C	D	
11-45	11-45T	80	80	80	60	43	66	ABS/PC
11-46	11-46T		80	80	80	43	66	ABS/PC
11-47	11-47T		120	80	60	83	66	ABS/PC
11-48	11-48T		120	80	60	83	66	ABS/PC
11-49	11-49T		160	80	60	123	66	ABS/PC
11-50	11-50T		160	80	80	123	66	ABS/PC
11-51	11-51T		240	80	60	203	66	ABS/PC
11-52	11-52T	120	240	80	60	203	66	ABS/PC
11-53	11-53T		120	120	60	83	106	ABS/PC
11-54	11-54T		120	120	90	83	106	ABS/PC
11-55	11-55T		200	120	60	163	106	ABS/PC
11-56	11-56T		200	120	90	163	106	ABS/PC
11-57	11-57T		240	120	60	203	106	ABS/PC
11-58	11-58T	160	240	120	90	203	106	ABS/PC
11-59	11-59T		160	160	60	123	146	ABS/PC
11-60	11-60T		160	160	90	123	146	ABS/PC
11-61	11-61T		240	160	60	203	146	ABS/PC
11-62	11-62T		240	160	90	203	146	ABS/PC
11-63	11-63T		240	160	120	203	146	ABS/PC



CP11-50

Material: ABS

combiplast