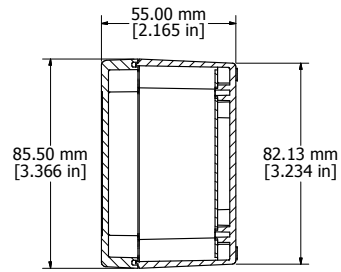
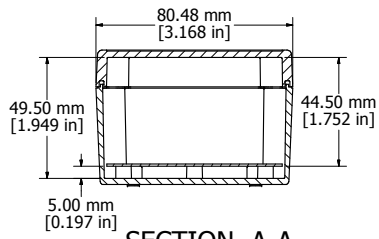


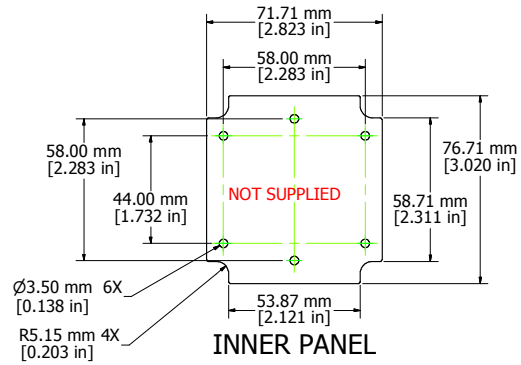
ASSEMBLY - TOP



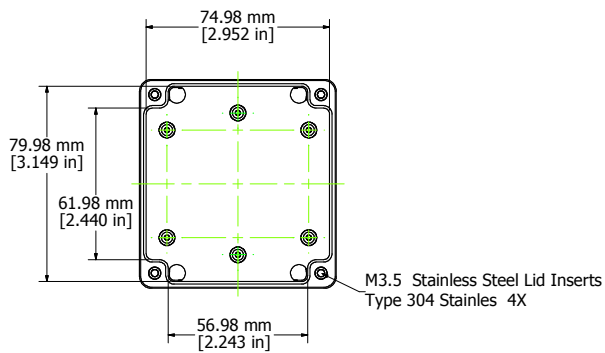
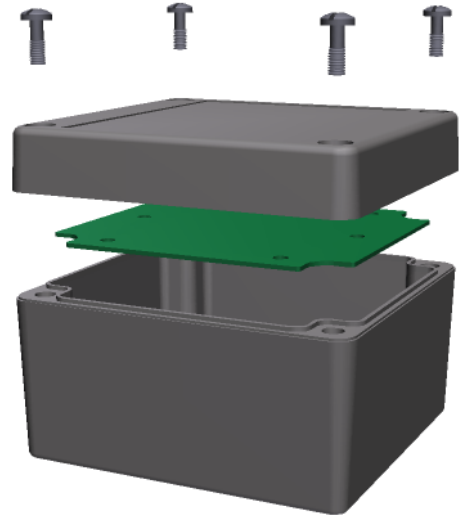
SECTION B-B



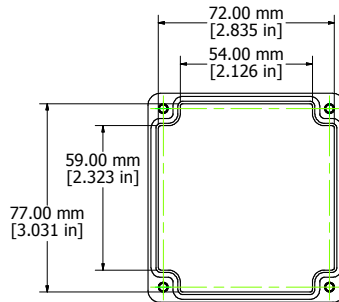
SECTION A-A



INNER PANEL



BOX - INSIDE



LID - INSIDE

<b>CP- RP1065</b>
Material: ABS (UL94-HB), Light Gray Color
Lid Screws: M3.5 x 10, 304 Stainless
Gasket: EDPM Cord.
Circuit Board Screws Supplied (M3 self tap)
Suggested Lid Screw Torque: 30ozf-in (21cN-m)

*combiplast*