

ILU - 006 series

Appearance



Material : PMMA

Application

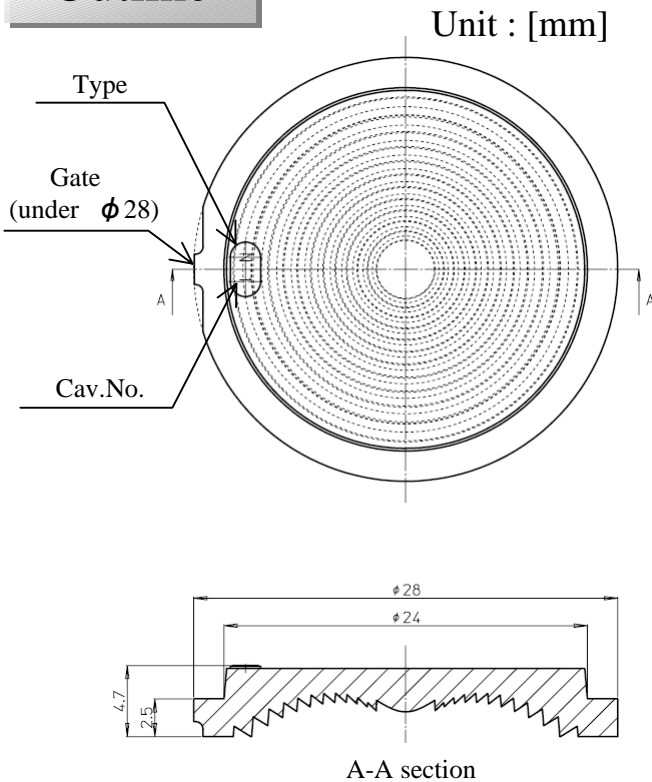
LED Bulb(MR16,GU10,etc...)
LED Down-light , Street Light, others ...

Recommended LED

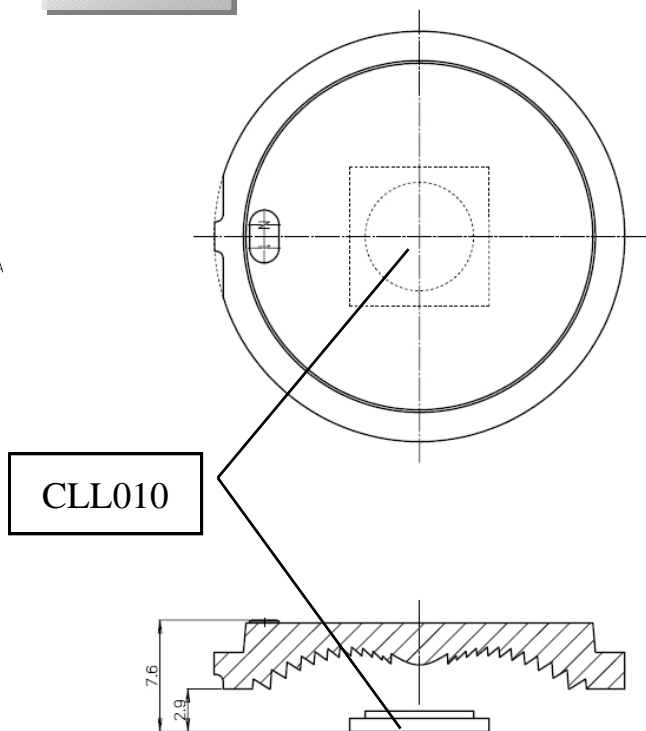
CLL010 series



Outline



Layout



< Attention in the handling >

- To fix the lens, the use of its flange with thickness of 2.5mm is recommended.
- The lens should be placed against the LED "CLL010" as shown in the figure above.
- The specification is subject to change without notice.
- The prism shape is not accurate.
- Do not use this product under the temperature condition exceeding 85°C.

CITIZEN ELECTRONICS CO.,LTD.

Ref.CE-P1802 02/12

ILU - 006 series

Luminous intensity

With CLL010 Series

LED			Lens	ILU-006-N	ILU-006-M	ILU-006-W
LED part code	CCT	Ra	Lumen	FWHM [27deg]	FWHM [33deg]	FWHM [41deg]
CLL010-0305A1-273M1A2	2700[K]	80 Min	90[lm]	268[cd]	188[cd]	135[cd]
			250[lm]	745[cd]	522[cd]	375[cd]
			445[lm]	1326[cd]	929[cd]	667[cd]
CLL010-0305A1-303M1A2	3000[K]	80 Min	95[lm]	283[cd]	198[cd]	142[cd]
			265[lm]	790[cd]	553[cd]	397[cd]
			475[lm]	1416[cd]	991[cd]	712[cd]
CLL010-0305A1-353M1A2	3500[K]	80 Min	95[lm]	283[cd]	198[cd]	142[cd]
			270[lm]	805[cd]	563[cd]	405[cd]
			480[lm]	1431[cd]	1002[cd]	719[cd]
CLL010-0305A1-403M1A2	4000[K]	80 Min	100[lm]	298[cd]	209[cd]	150[cd]
			270[lm]	805[cd]	563[cd]	405[cd]
			485[lm]	1445[cd]	1012[cd]	727[cd]
CLL010-0305A1-503M1A2	5000[K]	80 Min	100[lm]	298[cd]	209[cd]	150[cd]
			280[lm]	834[cd]	584[cd]	420[cd]
			505[lm]	1505[cd]	1054[cd]	757[cd]
CLL010-0305A1-50KL1A1	5000[K]	65 Typ	120[lm]	358[cd]	250[cd]	180[cd]
			330[lm]	984[cd]	689[cd]	495[cd]
			590[lm]	1758[cd]	1231[cd]	884[cd]

< Attention in the handling >

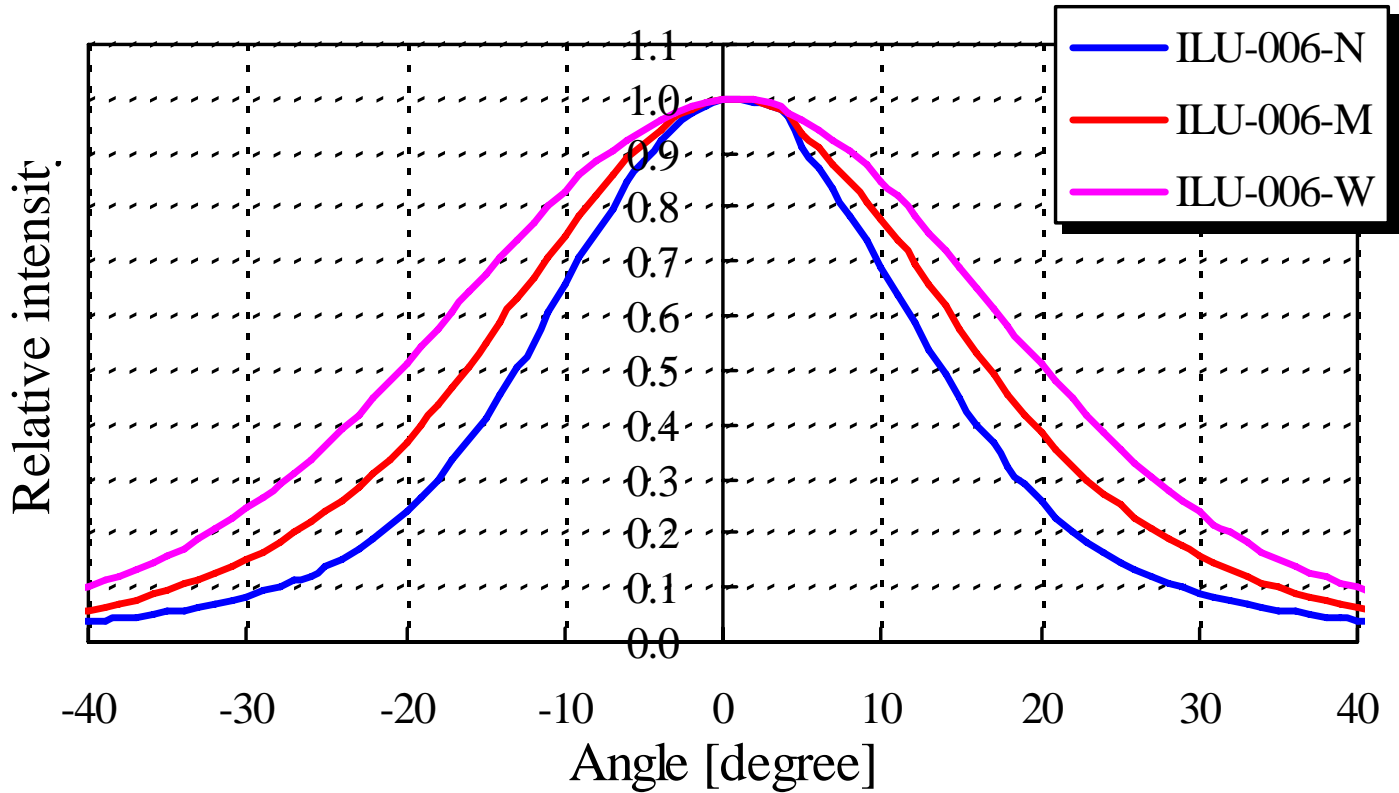
- To fix the lens, the use of its flange with thickness of 2.5mm is recommended.
- The lens should be placed against the LED "CLL010" as shown in the figure above.
- The specification is subject to change without notice.
- Do not use this product under the temperature condition exceeding 85°C.

CITIZEN ELECTRONICS CO.,LTD.

Ref.CE-P1802 02/12

ILU - 006 series

Directivity



< Attention in the handling >

- To fix the lens, the use of its flange with thickness of 2.5mm is recommended.
- The lens should be placed against the LED "CLL010" as shown in the figure above.
- The specification is subject to change without notice.
- Do not use this product under the temperature condition exceeding 85°C.

ILU - 006 series

Physical properties

Property	Test Method	Condition	Unit	Value
Optical				
Light transmission	ASTM D 1003	3.2mm	%	92
Reflectiv Index	ASTM D 542	ND@23°C	---	1.49
Mechanical				
Tensile modulus	ASTM D 638		MPa	3100
Tensile strength at yield	ASTM D 790	Max.	MPa	70
Nominal tensile strain at break	ASTM D 638	---	%	6
Flexual modulus	ASTM D 790	---	MPa	3200
Flexual strength	ASTM D 790	---	MPa	103
Charpy impact strength	ASTM D 256			7.5
Izod impact strength	ASTM D 256	Noched (23°C)	kJ/m ²	1.2
Rockwell hardness	ASTM D 785	M scale	---	93
Thermal				
Heat deflection temperature	ASTM D 648	1820kPa	°C	102
Vicat softening point	ASTM D 1525	(Rate A;1kg)	°C	111
		(Rate A;5kg)	°C	104
Melt volume flow rate	ASTM D 1238	---	g/10min	3.7
Coeffient of linear expansion	ASTM D 696	---	× 10 ⁻⁵	5.8
Electrical				
Surface resistivity	ASTM D 257	---	Ω /sq	1.00E+18
Volume resistivity	ASTM D 257	---	Ω cm	1.00E+18
Specific Inductive capacity	ASTM D 150	60cycles	---	3.7
		1,000,000cycles	---	2.2
Dielectric strength	ASTM D 149	volts/mil		500
Dielectric loss Factor	ASTM D 150	60cycles		0.19
		1,000,000cycles		0.007
Tracking resistance	ASTM D 405	---	seconds	no track
Other				
Density	ASTM D 792	---	g/cm ³	1.19
Water absorption	ASTM D 570	---	%	0.3
Flammability	UL94	---	class	HB

* Values reported are typical and should not be used for specification purpose.

< Attention in the handling >

- The data on this document is the characteristics combining ILU-006 and CLL010 series.
- ILU-006 is the lens for CLL010 series.
- Discussion will be needed separately if you combine it with LEDs other than these.
- The specification is subject to change without notice.
- Do not use this product under the temperature condition exceeding 85°C.

CITIZEN ELECTRONICS CO.,LTD.

Ref.CE-P1802 02/12