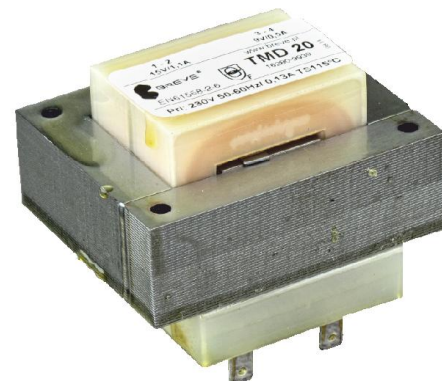


# TRANSFORMER FOR PCB

# TMD



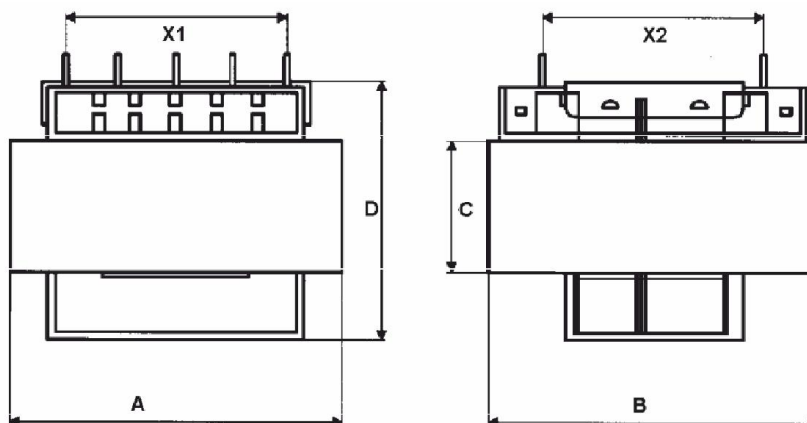
Transformers suitable for mounting on printed circuit boards in power supply circuitry of electronic devices. They feature small dimensions and a modern design of winding core, where winding is entirely encased. The transformers are made at IP00 protection grade, maximum ambient temperature 40°C, thermal class of insulation B (130°C). Manufactured in compliance with EN 61558-2-4 and EN 61558-2-6.



**Rated power:** 2 - 30 VA

**Rated voltage PRI:** 24-500 V 50/60 Hz

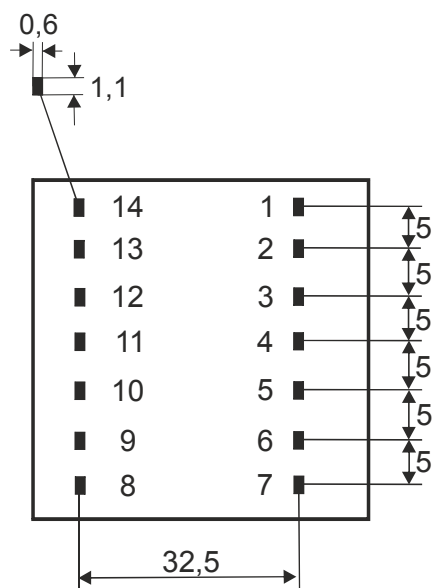
**Rated voltage SEC:** 6-500 V



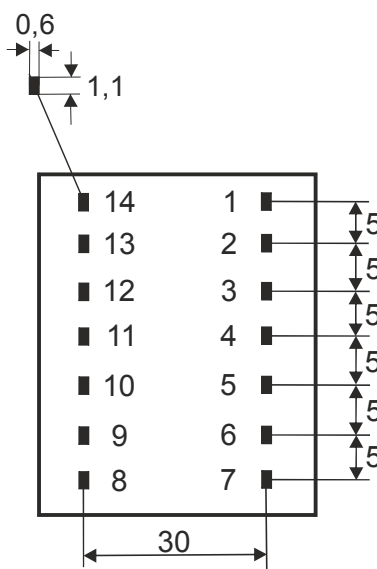
Type	Power [VA]	Dimensions [mm]						Weight [kg]	Connecting pins	
		A	B	C	D	X1	X2		PRI	1xSEC
TMD 2	2	30	32	15,5	27	20	20	0,10	1 - 5	6 - 10
TMD 5	5	42	35	15	30	25	25	0,15	1 - 5	6 - 10
TMD 8	8	48	40	16,5	35	25	27,5	0,25	1 - 6	8 - 11
TMD 12	12	54	45	17	39	30	30	0,35	2 - 6	10 - 12
TMD 20	20	60	50	21	43	30	32,5	0,50	2 - 6	10 - 12
TMD 30	30	60	50	31	53	30	32,5	0,70	2 - 6	10 - 12

As a result of constant development of product construction and changes concerning technical requirements, Breve Tufvassons reserves the right to change the parameters mentioned above.

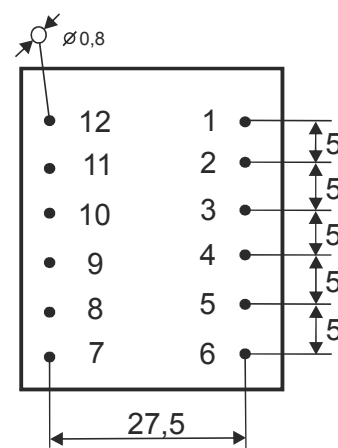




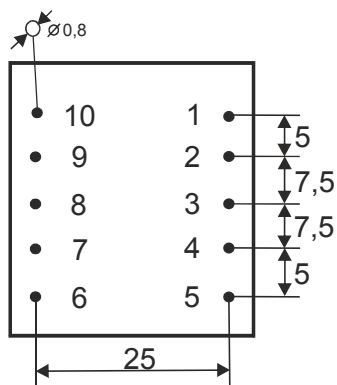
**TMD 20; 30**



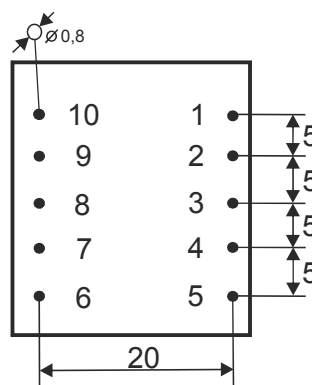
**TMD 12**



**TMD 8**



**TMD 5**



**TMD 2**

As a result of constant development of product construction and changes concerning technical requirements, Breve Tufvassons reserves the right to change the parameters mentioned above.