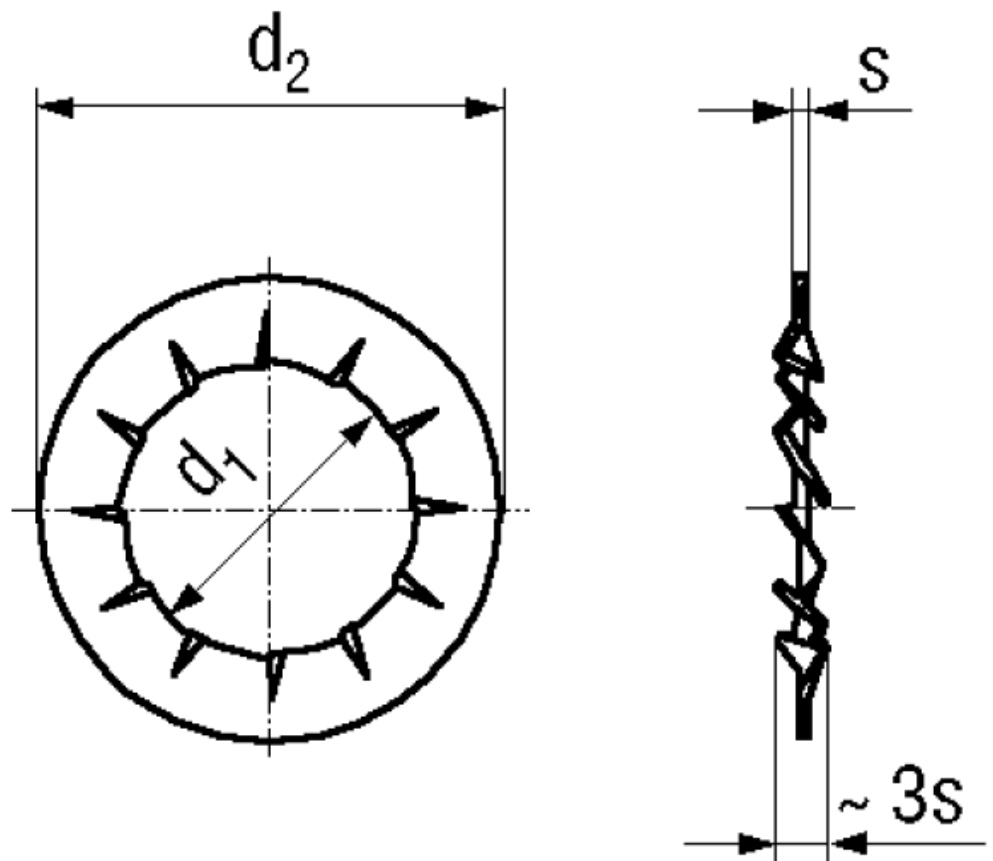


## BN 782 - DIN 6798 J

Serrated lock washers  
type J, internal serrated

DIN 6798 J  
~UNI 8842 J



Material	Spring steel	Hardness	350-425 HV
Surface	zinc plated blue		

Article No. - 1278274	
for thread	M6
d <sub>1</sub> min.	6,4
d <sub>2</sub> max.	11
s	0,7

Standard withdrawn.

M5 x 5,1 ; M8 x 8,2: for hex cap screws.

Spring elements  $\geq 320$  HV electroplated coatings: Susceptible to hydrogen embrittlement!  
Other coatings on request.