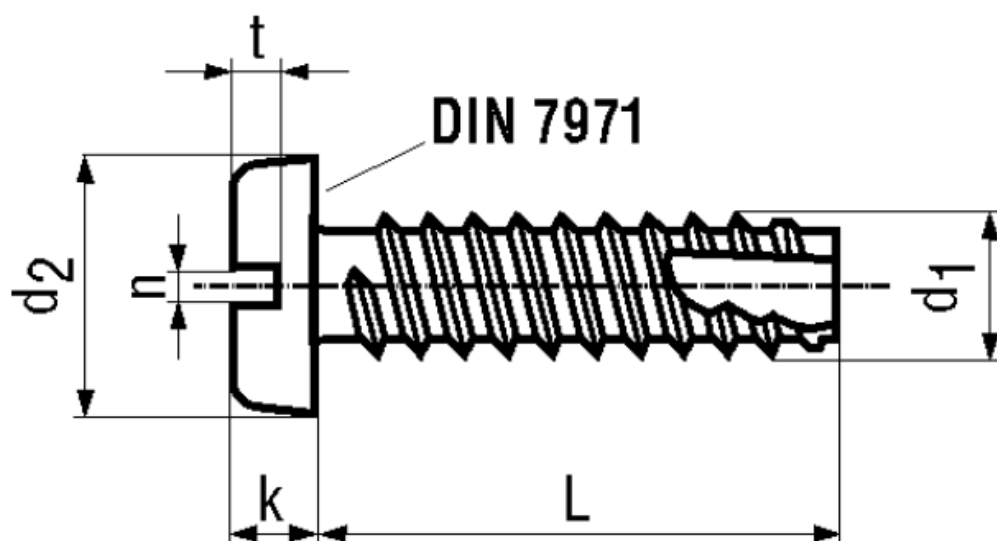


BN 1014

Slotted pan head thread cutting screws
with tapping screw thread type 1
case-hardened



Material	Steel	Hardness	450 HV
Surface	zinc plated blue		

Article No. - 1381113	
d ₁	ST 3,5
L	6,5
d ₂ max.	6,9
k max.	2,1
n	1
t min.	0,95
Hole-ø	3

Hole-Ø; Approximate data; the final hole diameters should be determined by performance tests.

Fasteners steel case-hardened ≥ 320 HV with electroplated coatings: Susceptible to hydrogen embrittlement!