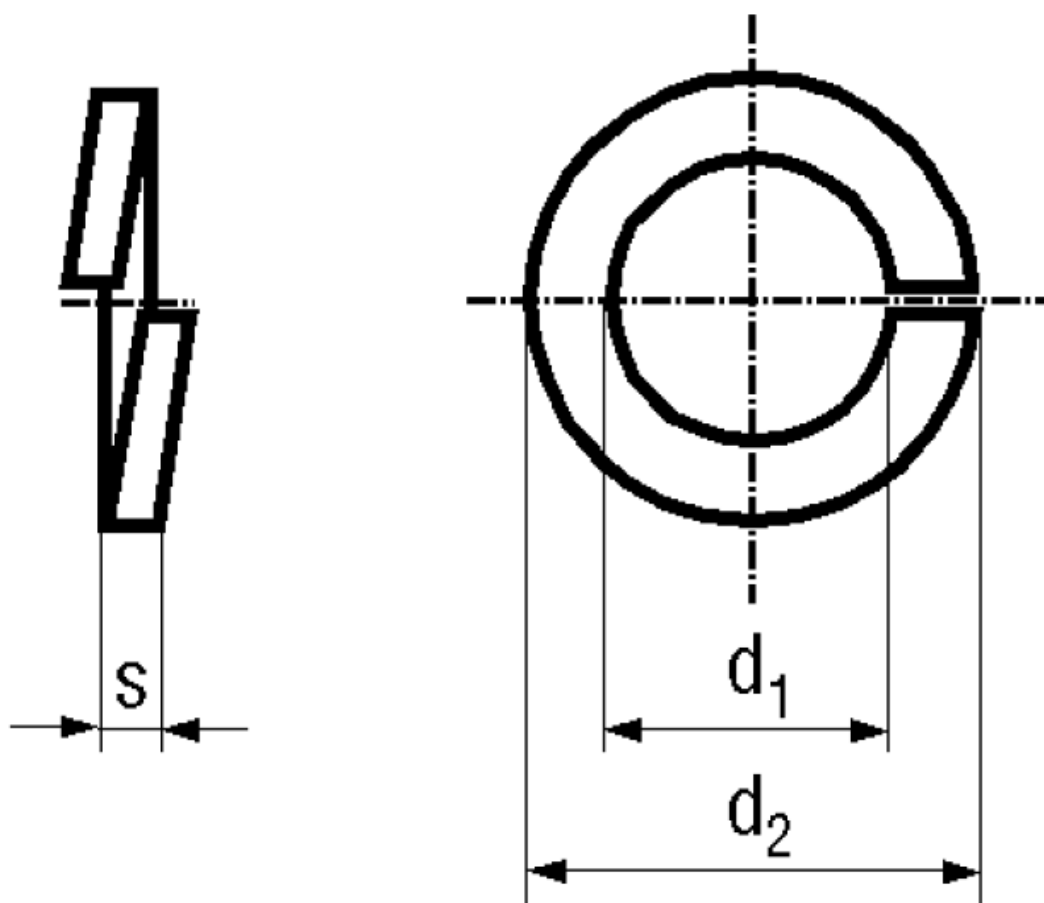


## BN 672 - DIN 127 B

Helical spring lock washers with flat end

DIN 127 B  
~UNI 1751 B



Material	<b>Stainless steel</b>	Quality	<b>A2 / 1.4310</b>
----------	------------------------	---------	--------------------

Article No. - 1253549	
for thread	M2,5
d <sub>1</sub> min.	2,6
d <sub>1</sub> max.	2,9
d <sub>2</sub> max.	5,1
s	0,6

DIN 127: Standard withdrawn.

Material: A2 / 1.4310 at manufacturer's option.

We recommend DIN 128 A (curved spring lock washers) for new constructions: BN 674 / BN 8856.