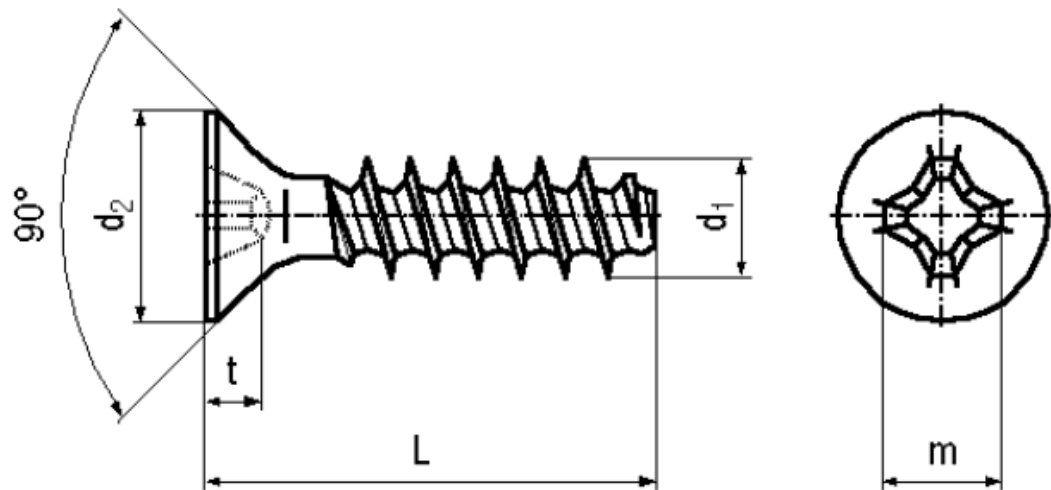


BN 13576

PT®-Flat countersunk head screws
Phillips H cross recessed
heat treated



Trade mark	PT®	Surface	zinc plated blue
Type	WN 1413	Tensile strength	1000 N/mm ²
Material	Steel	Hardness	320-390 HV

Article No. - 2001144

Countersunk head geometry with reinforcement taper.

Screwdriver Bits 1/4": BN 31515 and BN 10639 / CG 1.

Fasteners steel case-hardened ≥ 320 HV with electroplated coatings: Susceptible to hydrogen embrittlement!