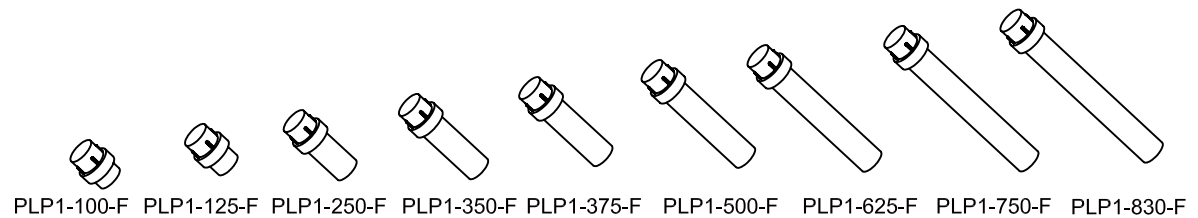
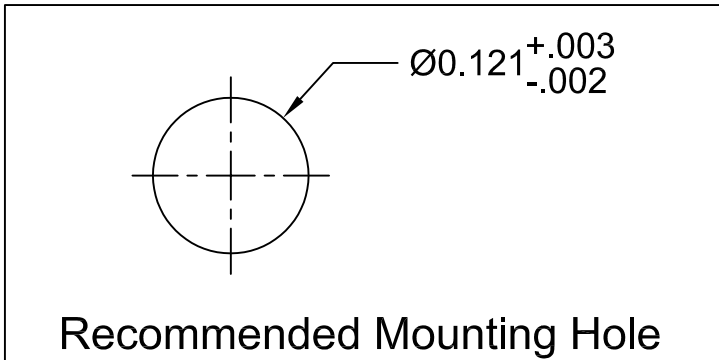
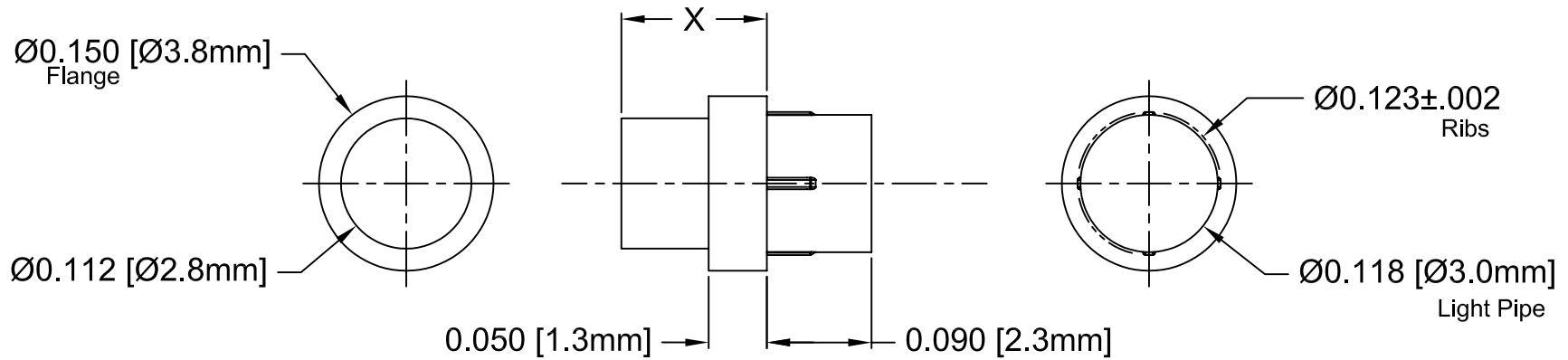


Part No.	X = Body Length
PLP1-100-F	0.100 (2.5mm)
PLP1-125-F	0.125 (3.2mm)
PLP1-250-F	0.250 (6.4mm)
PLP1-350-F	0.350 (8.9mm)
PLP1-375-F	0.375 (9.5mm)
PLP1-500-F	0.500 (12.7mm)
PLP1-625-F	0.625 (15.9mm)
PLP1-750-F	0.750 (19.0mm)
PLP1-830-F	0.830 (21.1mm)

REV.	DESCRIPTION	DATE	APPROVED
E	Engineering Release w/ Mounting Specification.	09/29/03	M. C.
F	Changed "0.120" to "0.121".	05/27/04	M. C.
G	Removed Max.	08/12/04	M. C.
H	Added 0.100" and 0.830" Lengths.	07/26/07	M. C.
J	Corrected PLP1-100-F Picture Label	01/02/08	M. C.



2. MATERIAL: POLYCARBONATE, 94V-0, CLEAR. BIVAR MATERIAL CODE 47-CR. SAM YANG CORPORATION POLYCARBONATE 3025N2 CLEAR.
1. GENERAL SPECIFICATIONS: BIVAR MOLDED COMPONENT SPECIFICATION BV00-E101.

STANDARD TOLERANCE (UNLESS OTHERWISE SPECIFIED)		BIVAR [®]	
DECIMALS	ANGULAR	4 THOMAS, IRVINE, CA. 92618	
.X ±.1	X° ± 1°	TEL: (949) 951-8808 FAX: (949) 951-3974	
.XX ±.01		TITLE: PRESS-FIT, PANEL MOUNT, LIGHT PIPE, FLAT TOP	
.XXX ±.005		PART NO: PLP1-XXX-F	REVISION: J
DESIGNED: Michael Chen	DATE: 01/16/02	CAGE CODE : 32559	SHEET # 1 OF 1
CHECKED: E. M. Muldoon	DATE: 04/26/02	CAD GENERATED DOCUMENT, DO NOT MEASURE DRAWING.	