

ELECTRONIC SIREN

Customer	
Customer P/O	
Bestar Model Name	BPS-1500-01(BZ-15)
Issue No.	BS/TEA01.007A
Issue Date	02/07/01

Approval:

- 1.Ordering Information
- 2.Technical Terms
- 3.Drawing
- 4.Reliability Test



BESTAR ELECTRONICS INDUSTRY CO.,LTD
TianAn Industry Park4/F,Site B ChangZhou New District
Tel:86-519-5103228
Fax:86-519-5131010
E-Mail:wu@be-star.com
Http:www.be-star.com

This print and information therein are proprietary to Bestar Electronics Industry Co., Ltd. and shall not be used in whole or in part without its written content

1. Ordering Information

BPS-1500-01
BPS: BeStar Piezo Siren

2. Technical Terms

Item	Unit	Specifications
Rated Voltage (DC)	V	12
Operating Voltage(DC)	V	6...16
*Rated Current	mA	260
*Sound Output at 100cm	dB	105
*Resonant Frequency	KHz	2~4
Operating Temperature		-20...+60
Storage Temperature		-30...+70
Weight	g	110

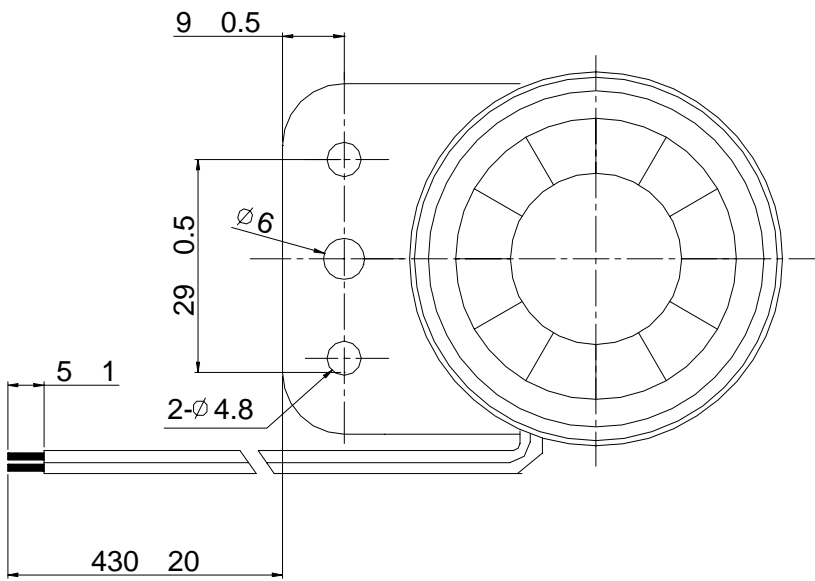
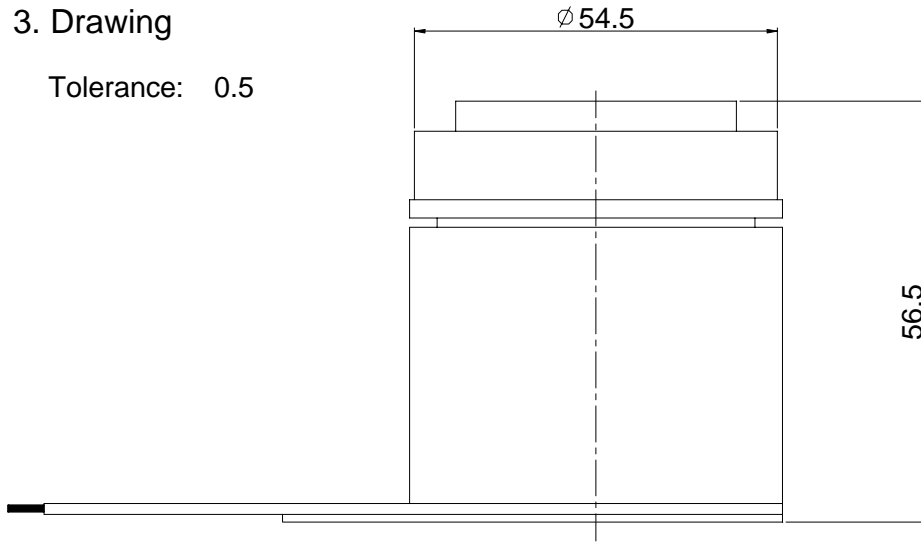
*Value applying at rated voltage(DC).

DIS.		DATE		Page:1 of 3 3rd angle projection	BPS-1500-01
CHEC.		DATE			Alarm
APPR.		DATE			DRG NO BS/TEA01.007A
 BESTAR ELECTRONICS INDUSTRY CO.,LTD TianAn Industry Park 4/F,Site B ChangZhou New District					

This print and information therein are proprietary to Bestar Electronics Industry Co., Ltd. and shall not be used in whole or in part without its written content

3. Drawing

Tolerance: 0.5



DIS.		DATE		Page:2 of 3	BPS-1500-01
CHEC.		DATE			
APPR.		DATE			DRG NO BS/TEA01.007A
 BESTAR ELECTRONICS INDUSTRY CO.,LTD TianAn Industry Park 4/F,Site B ChangZhou New District					

This print and information therein are proprietary to Bestar Electronics Industry Co., Ltd. and shall not be used in whole or in part without its written content

4. Reliability test

4.1 High temperature test

Temperature +60 c
Duration 96hrs

4.2 Low temperature test

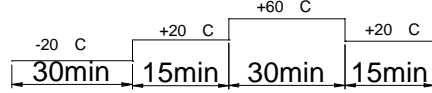
Temperature -20 c
Duration 96hrs

4.3 Life test in normal temperature

Power supply rated voltage
Duration 1000hrs

4.4 Temperature cycle test

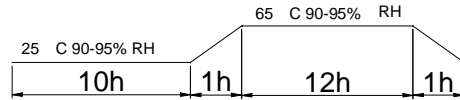
Cycles 5



all these tests above should be measured after leaving normal temperature for 2hrs.

4.5 Humidity cycle test

Cycles 5



all these tests above should be measured after leaving normal temperature for 2hrs.

4.6 Life test in high temperature

Temperature +60 c
Duration 500hrs
Load 20V

4.7 Life test in low temperature

Temperature -20 c
Duration 500hrs
Load 3V

4.8 Drop test

Height 70cm
(to 10mm thickness woodenboard)
Direction 3

Notice: All specification must be satisfied in this condition.

DIS.		DATE		Page:3 of 3	BPS-1500-01
CHEC.		DATE		3rd angle projection	
APPR.		DATE			Alarm
 BESTAR ELECTRONICS INDUSTRY CO.,LTD TianAn Industry Park 4/F,Site B ChangZhou New District					DRG NO BS/TEA01.007A