



LCD DIGITAL POCKET SIZE THERMOMETER

AX-9319

INSTRUCTION MANUAL



FUNCTIONS:

- ON/OFF
- H/T
- °F/°C
- MAX/MIN Memory recalling

FEATURE:

- 250 mm Stainless steel sensor probe
- 1 second normal temperature sensing time
- Piercing probe
- Protective plastik sleeve with clip for stainless steel

SPECIFICATION:

| | |
|--------------------|---|
| Measurement range: | -50°C--150°C or -58°F--302°F |
| Resolution: | 0.1° for -19.9°--199.9°, otherwise 1° |
| Accuracy: | ±0.1°C in the range of -30°C--150°C, otherwise more than ±2°C |
| | ±1.8°F in the range of -22°F--302°F, otherwise more than ±4°F |

Ambient temperature for plastic casing: -10°C--50°C or +14°F--122°F

Battery: 1x 1.5V "A76" size (LR44, G13) or equivalent

INSTALLATION:

- Unpack the thermometer with care.
- Open the battery door, install the battery into the battery compartment than close the battery door.
- Sliding plastic sleeve the thermometer is noe ready for use.
- Replace new battery when the low battery indicator appears on the screen.

OPERATION

- Slide/Press the "ON/OFF" switch/Button all functions will show on the display, the thermometer is ready for use.
- "°F/°C"---to select desired temperature unit.
- "H/T"---press once, "HOLD" flash to retain reading for recording.
- "MAX/MIN"---press once to recall minimum temperature tested. Press again for maximum temperature tested. Testing mode will restore after 3 seconds

TEMPERATURE ALARM SETTING:

- Press the "LOW AL" or "HI AL" button for setting alarm at desired low and high temperature. Press the "LOW AL" button. The "LOW" sign appears. Press the "HI AL" button, the "HIGH" sign will be shown. The display will show -50°C or -58°F and start to increase up to +150°C or /+299°C or +572°F.

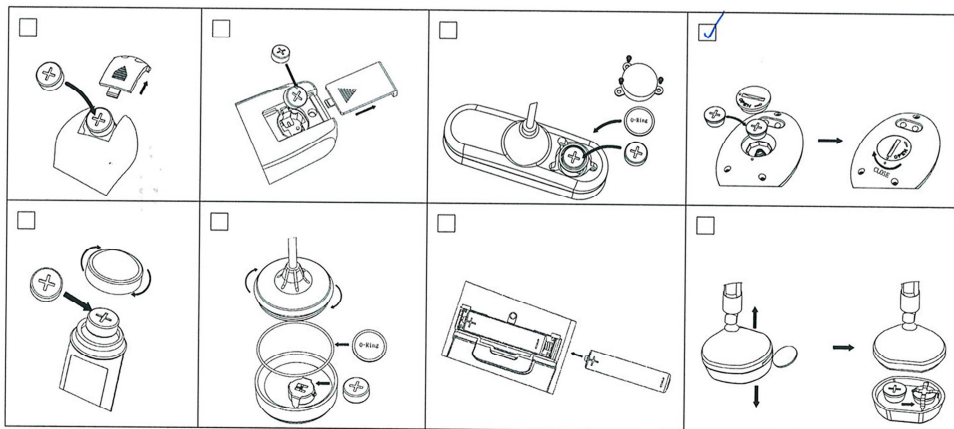


- Release the “LOW AL” or “HI AL” alarm set button when the desired temperature is reached. The thermometer will normal mode after 3 seconds.
- The alarm will sound in 4 beeping when the measured temperature is greater than maximum or less than the value.

PRECAUTIONS:

- To obtain the best results, the probe tip should be immersed at least 10mm into the tested substance.
- Make sure the batteries are installed with the correct polarity as shown in the battery compartment.
- Remove the battery from the battery compartment if the thermometer will not be used for long duration of time or during storage.
- The thermometer cannot be used or put inside any oven or microwave.
- Place the plastic O-Ring at the appropriate position after opening the battery door to ensure the waterproof function. (For product with waterproof function only).

CHANGING THE BATTERY:



64 ST-PK 07E-0

