

| MATERIAL AND FINISH AS BELOW |   |
|------------------------------|---|
| A                            | Housing<br>LCP UL94V-0 Black                              |
| B                            | Contact<br>Phosphor Bronze C5210, Contact Area: 15u" Gold |
| C                            | Shell<br>Brass C2680, Nickel Plated                       |

## SPECIFICATION:

- ELECTRICAL**
  - Current Rating: 0.5A per pin
  - Voltage Rating: 40V AC/DC
  - Contact Resistance: 60mΩ
  - Insulation Resistance: 100MΩ
  - Dielectric Withstanding Voltage: 500VAC

## 2. MECHANICAL

- Durability: 10000 Cycle
- Insertion Force: 44.1N max.
- Extraction Force: 9.8~39.2N.

## 3. ENVIRONMENTAL

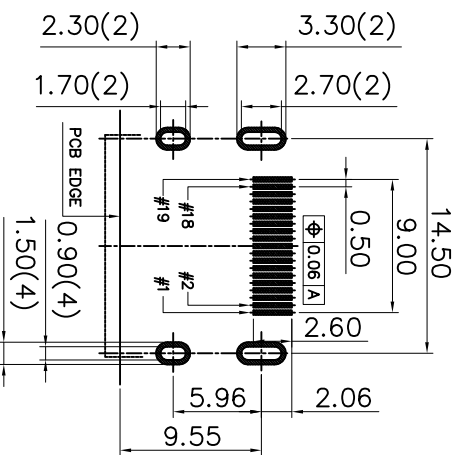
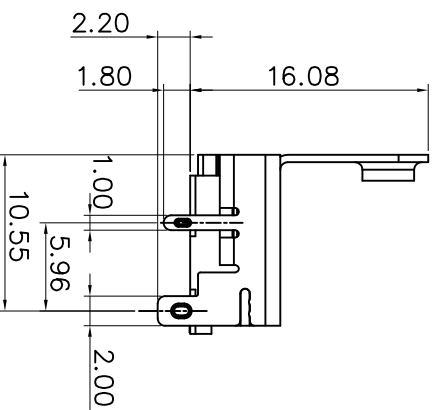
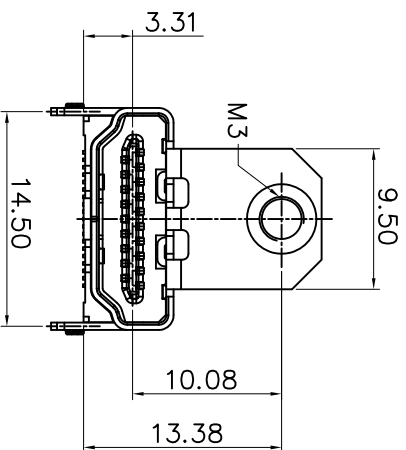
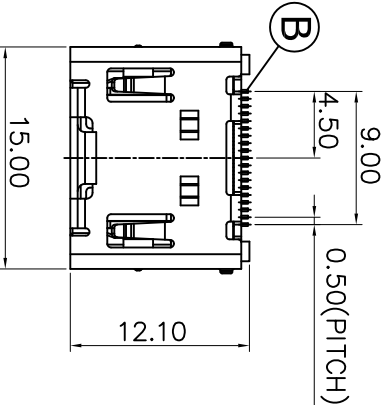
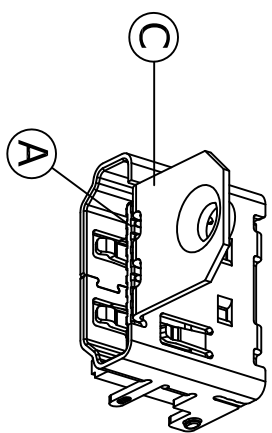
- Operating temperature range: -40°C~+85°C
- Storage temperature range: -40°C~+85°C

## 4. SOLDER ABILITY

- Recommended IR-Reflow Temperature: 260°C 5Sec
- Recommended PCB Thickness: 1.0mm

## DESCRIPTION

HDMI Connector With Flange, Solder Tail:SMD Type  
Shell:DIP Type, Contact Area: 15u" Gold Plated



PCB LAYOUT

|  |                        |                                |
|--|------------------------|--------------------------------|
| △  | Revised Voltage Rating | 2014/11/25                     |
| △  | Initial Release        | 2013/05/29                     |
| REV.   | DESCRIPTION            | DATE                           |
| UNLESS OTHERWISE SPECIFIED TOLERANCE   |                        |                                |
| ANGLES   | ANG.                   | ±5°                            |
| LINEAR   | 0.                     | ±0.3                           |
|  | 0.0                    | ±0.25                          |
| SCALE  | 0.00                   | ±0.20                          |
| SCALE AS SHOWN UNIT: mm  |                        |                                |
| DRAWN  | FROS                   | 2014/11/25                     |
| CHECKED  | RON                    | 2014/11/25                     |
| APPROVED   | Ken                    | 2014/11/25                     |
| DRAWN NAME:<br>HDMI Connector, With Flange<br>Solder Tail:SMD Type, Shell:DIP Type |                        | PRODUCT NO.<br>206B-SEAN-R01   |
| www.attend.com.tw  |                        | FILE NAME<br>206B-SEAN-R01_B_2 |
| SIZE   | A4                     | SHEET 1/1                      |

