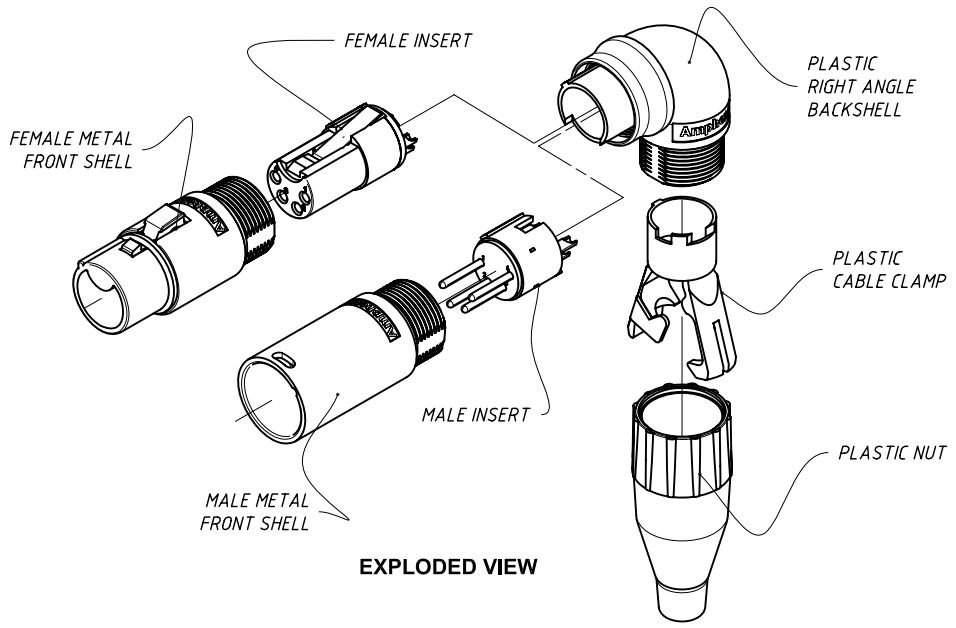


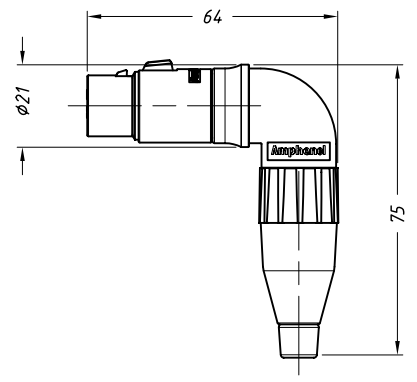
1 2 3 4 5 6

A  
B  
C  
D  
E  
F

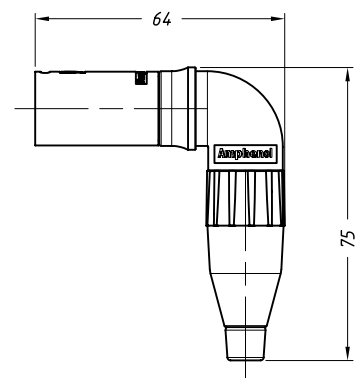
A  
B  
C  
D  
E  
F



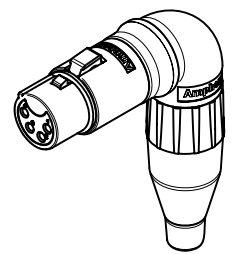
**EXPLODED VIEW**



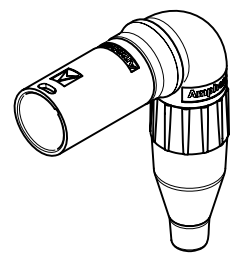
**OVERALL DIMENSION FEMALE CONNECTOR**



**OVERALL DIMENSION MALE CONNECTOR**

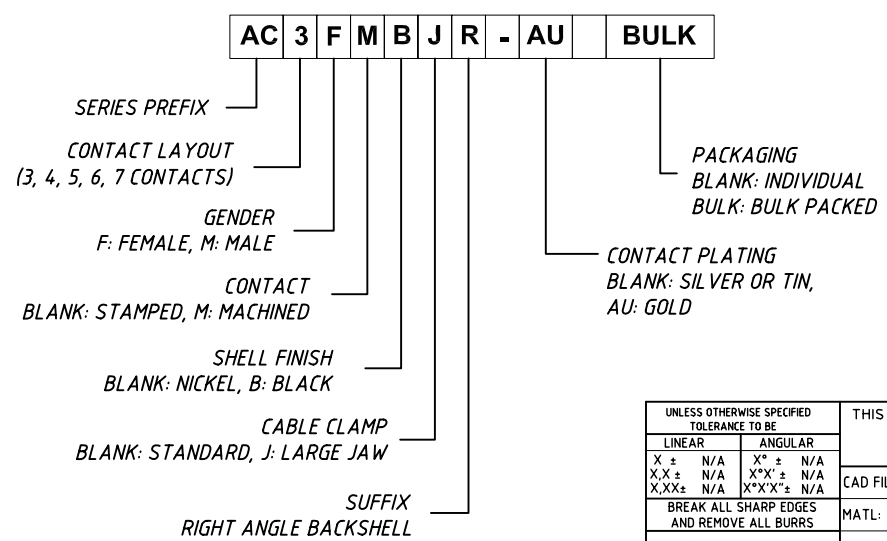


**3D VIEW FEMALE CONNECTOR**



**3D VIEW MALE CONNECTOR**

**PART NUMBER BREAKDOWN**



UNLESS OTHERWISE SPECIFIED TOLERANCE TO BE		THIS DOCUMENT IS THE PROPERTY OF AMPHENOL AUSTRALIA PTY. LTD.. NO PART THEREOF MAY BE REPRODUCED AND USED WITHOUT THE PRIOR WRITTEN CONSENT OF THE OWNER			0	FIRST ISSUE	T.N					
LINEAR	ANGULAR				X ± N/A	X° ± N/A	X.X ± N/A	X°X' ± N/A	X.XX ± N/A	X°X'X" ± N/A	REV.	CHANGE DETAILS
BREAK ALL SHARP EDGES AND REMOVE ALL BURRS		CAD FILE: 55010508000110		DRN: T.N	DATE: 10/10/07	<b>RIGHT ANGLE AC SERIES METAL CONNECTOR</b>		<b>Amphenol</b>				
DO NOT SCALE		MATL:	CKD: P.M	APP'D: P.M	DATE:			Amphenol Australia Pty.Ltd, 2 Fiveways Blvd, Keysborough, Vic3173		DRAWING NO.	SHEET	
DIMENSIONS IN MILLIMETRES		THIRD ANGLE PROJECTION		SCALE: NTS	PART No: <b>SEE DETAIL</b>	SIZE: A4	55010508-000-1		1 OF 1			

1 2 3 4 5 6