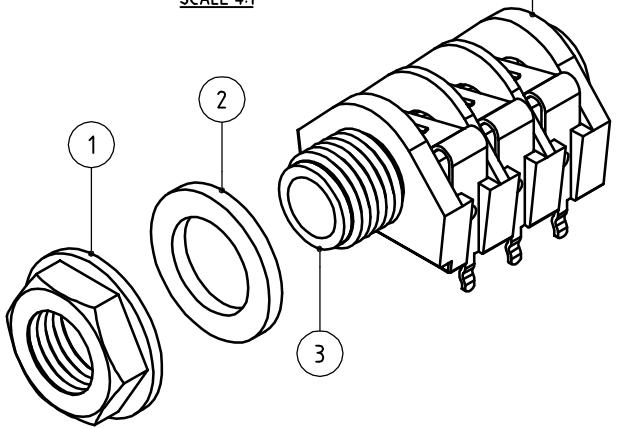
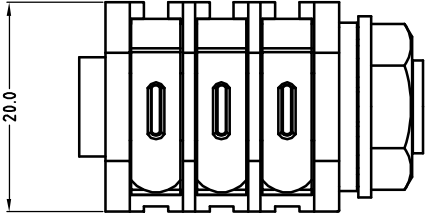
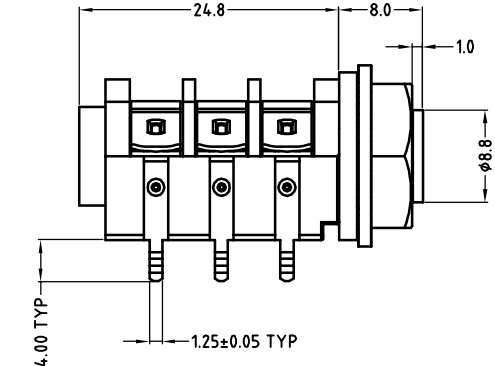


SCALE 4:1

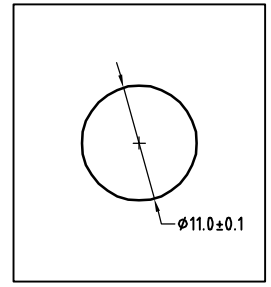
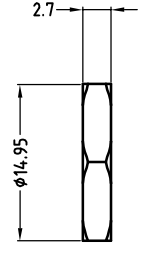
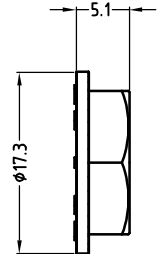
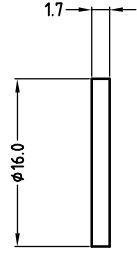


ITEM	DESCRIPTION
1	PLASTIC/METAL NUT
2	FIBRE WASHER
3	METAL TUBE INSERT
4	CONNECTOR ASSEMBLY

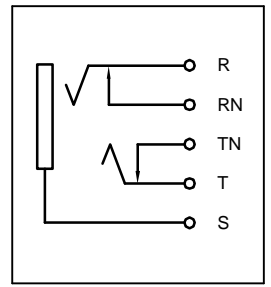


PART No.	CATALOG No.	DESCRIPTION
55010131-502	ACJS-PHR	PLASTIC NUT
55010131-702	ACJS-MHR	METAL NUT

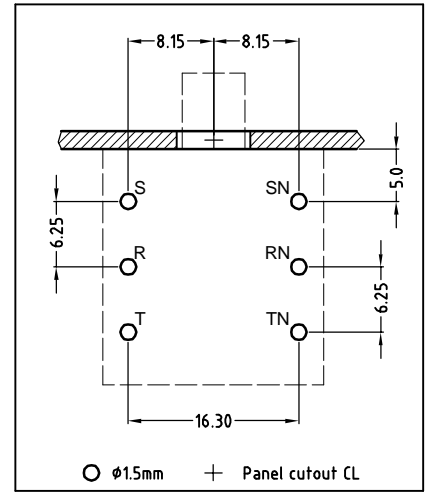
NUT OPTIONS
 FIBRE WASHER PLASTIC NUT METAL NUT



PANEL CUTOUT



SCHEMATIC



PCB LAYOUT

1	CHANGE PLASTIC WASHER TO FIBRE WASHER	L.V	22-10-03	8226
	FIRST ISSUE	L.V	11-02-02	----
REV.	CHANGE DETAILS	BY	DATE	CHG/No

UNLESS OTHERWISE SPECIFIED TOLERANCE TO BE		THIS DOCUMENT IS THE PROPERTY OF AMPHENOL AUSTRALIA PTY. LTD.. NO PART THEREOF MAY BE REPRODUCED AND USED WITHOUT THE PRIOR WRITTEN CONSENT OF THE OWNER			
LINEAR	ANGULAR	CAD FILE:	55010131502111	DRN:	L.V
X ± 1	X° ± 1'	MATL:	REFER TO COMPONENT	CKD:	M.N.H
X,X ± 0.5	X°X' ± 30'	DO NOT SCALE	FINISH: REFER TO COMPONENT	APP'D:	P.M
X,X,X ± 0.10	X°X'X" ± 15'	DIMENSIONS IN MILLIMETRES		THIRD ANGLE PROJECTION	SCALE: 2:1 UOS

TITLE: ACJS-PHR/ACJS-MHR 1/4" STEREO JACK CUSTOMER DRAWING		Amphenol Amphenol Australia Pty Ltd, 2 Finneys Blvd, Keysborough, Vic 3173	
DRAWING NO.	SHEET	PART No:	REFER TO TABLE
SIZE: A3	55010131-502-1	SIZE: A3	1 OF 1