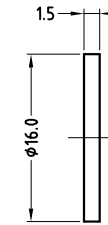
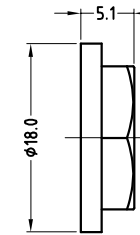


FIBRE WASHER

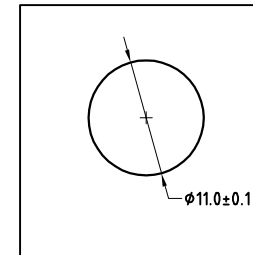
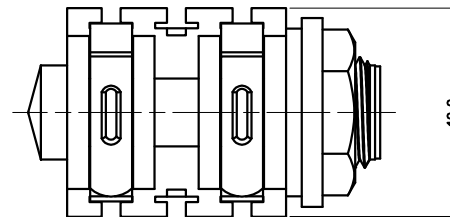
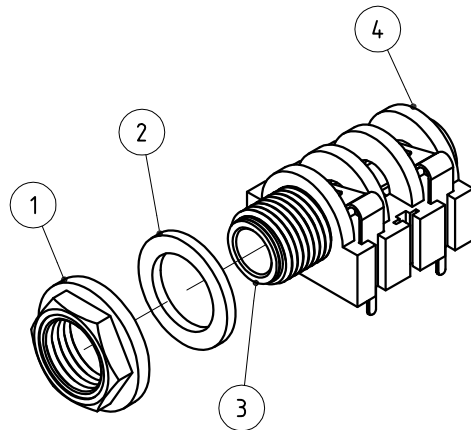
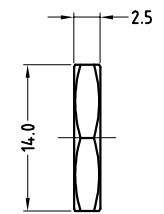


**NUT OPTIONS**

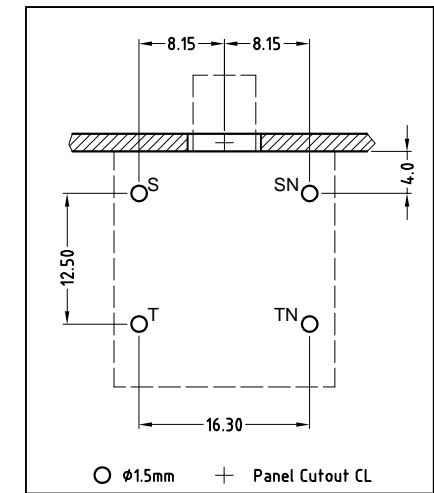
PLASTIC NUT



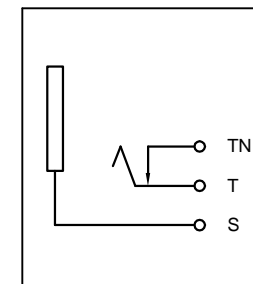
METAL NUT



PANEL CUTOUT



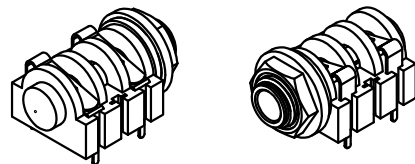
PCB LAYOUT



SCHEMATIC

ITEM	DESCRIPTION
1	METAL/PLASTIC NUT
2	FIBRE WASHER
3	METAL TUBE INSERT
4	CONNECTOR ASSEMBLY

PART No.	CATALOG No.	DESCRIPTION
55010097-000	ACJM-MH	METAL NUT
55010097-001	ACJM-PH	PLASTIC NUT



ISO VIEW

UNLESS OTHERWISE SPECIFIED TOLERANCE TO BE		THIS DOCUMENT IS THE PROPERTY OF AMPHENOL AUSTRALIA PTY. LTD. NO PART THEREOF MAY BE REPRODUCED AND USED WITHOUT THE PRIOR WRITTEN CONSENT OF THE OWNER			
LINEAR	ANGULAR	CAD FILE:	DRN:	DATE:	REV.
X ± 0.5	X° ± 1°	55010097000111	L.V	17-10-01	1
X.X ± 0.1	X°X' ± 30'	MATL: REFER TO COMPONENT	CKD: M.N.H	DATE: 13-01-06	0
X.XX ± 0.05	X°X'X" ± 15'	FINISH: REFER TO COMPONENT	APP'D: P.M	DATE: 13-01-06	REV.
DO NOT SCALE		THIRD ANGLE PROJECTION		SCALE:	2:1 UOS

REV.	CHANGE DETAILS	BY	DATE	CHG/No
1	CHANGE DRAWING NUMBER & PART VARIATION NUMBER UPDATE DRAWING TO CURRENT PART	L.V	07-07-04	8293
0	FIRST ISSUE	L.V	17-10-01	----

**1/4" MONO JACK PCB LUG**  
**CUSTOMER DRAWING**

**Amphenol**  
Amphenol Australia Pty Ltd, 2 Fineways Blvd, Keysborough, Vic 3173

DRAWING NO. **55010097-000-1** SHEET **1 OF 1**