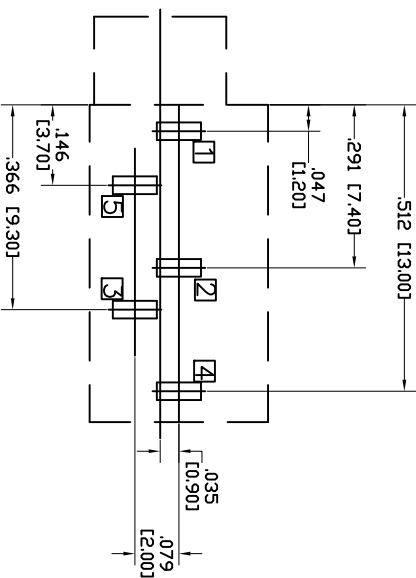
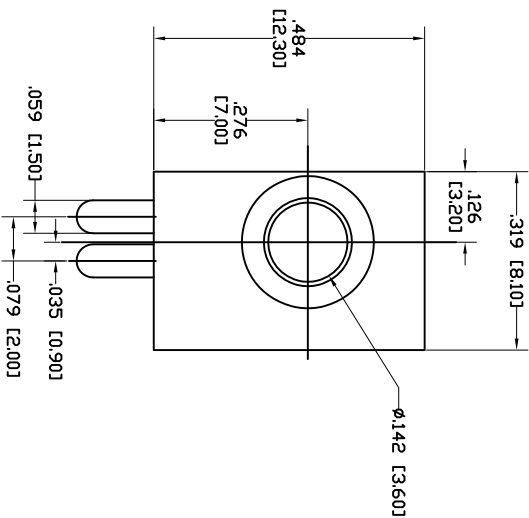
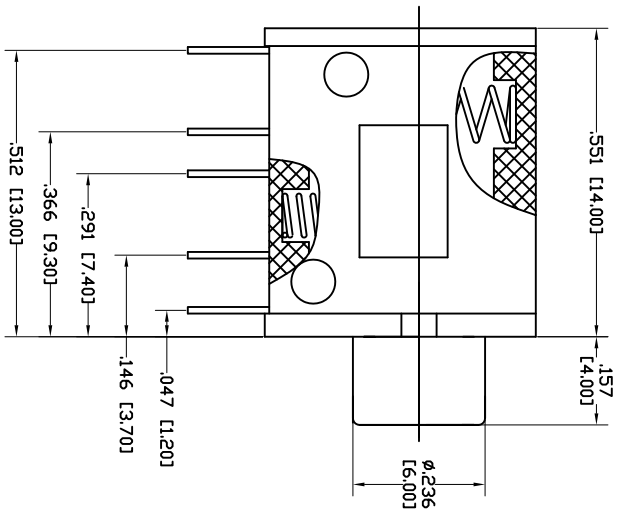


APPROVED: \_\_\_\_\_  
 DATE: \_\_\_\_\_ TITLE: \_\_\_\_\_

Rev	AWO #	Description	Date	Appr
-		RELEASED	8/2/03	
A		REDRAWN	8/30/10	



RECOMMENDED PCB LAYOUT

CONTACT FORM	ASJ-5-5	ASJ-5-4B	ASJ-5-3A	ASJ-5-3	ASJ-5-2	ASJ-5-4
SCHEMATIC						

**SPECIFICATIONS:**

Material:  
 Insulator: PBT, rated UL 94V-0  
 Insulator color: Black  
 Contacts: Copper Alloy, Tin plated.  
 Bushing: Copper Alloy, Nickel plated  
 Electrical:  
 Operating voltage: 30 VDC max.  
 Current rating: 0.5 Amp max.  
 Contact resistance: 30 mohms max.  
 Insulation resistance: 100 Mohms min.  
 Dielectric withstanding voltage: 500 VAC for 1 minute  
 Temperature Rating:  
 Operating temperature: -20°C to +70°C  
 Environmental:  
 Lead free, RoHS compliant.



**ADAM TECH**

909 Rahway Avenue, Union, NJ 07083  
 Phone: 908-687-5000 Fax: 908-687-5710

STEREO JACK, RIGHT ANGLE, PCB MOUNT

UNLESS OTHERWISE SPECIFIED ALL DIMENSIONS ARE MM [INCHES] TOLERANCES: EXCEPT AS NOTED INCHES		HOLE SIZE		DATE	
.X	± .10	Ø.X	± .10		
.XX	± .020	Ø.XXX	± .015		
.XXX	± .015	Ø.XXXX	± .010		
APPROVALS		DATE		TITLE	
DRAWN	SLS	8/2/03		STEREO JACK, RIGHT ANGLE, PCB MOUNT	
CHECKED	AY	8/30/10		SIZE	PART NO.
APPROVED				X	ASJ-5-XX
REF: S00002C		SCALE: NTS	SHEET 1 OF 1	REV.	A

A

B

C

D

A

B

C

D

6

5

4

3

2

1

6

5

4

3

2

1