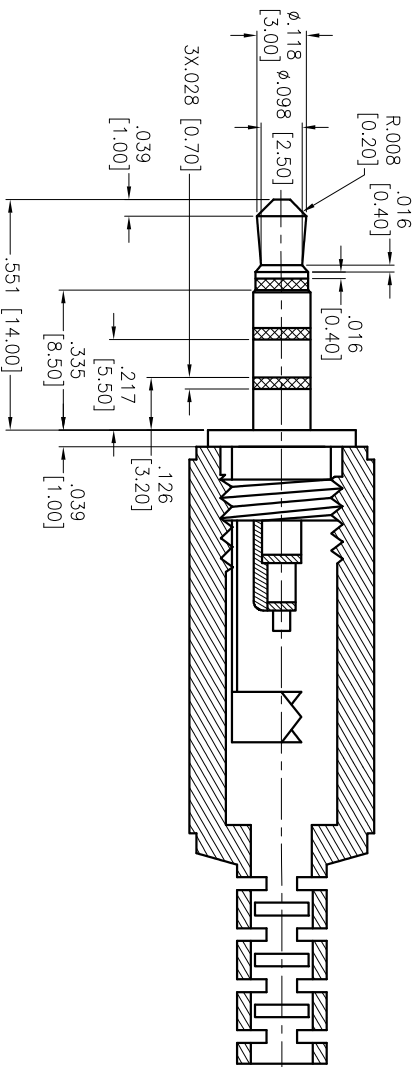
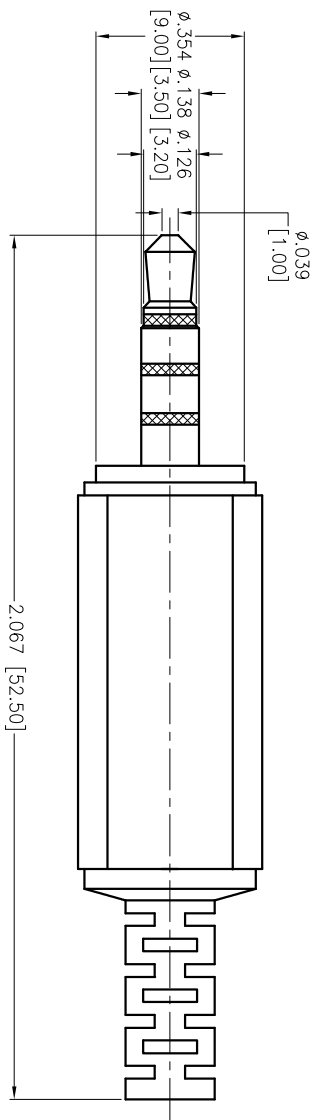


Rev	AWO #	Description	Date	Appr
-		RELEASED	9/19/12	

APPROVED: _____
 DATE: _____ TITLE: _____



SPECIFICATIONS:

Material:
 Insulator: ABS, Color: Black
 Plastic Cover: PVC, Color: Black
 Ring: Brass, Nickel plated
 Sleeve: Brass, Nickel plated
 Terminal: Brass, Nickel plated
 Contacts Head: Brass, Nickel plated

Electrical:
 Contact Resistance: 30m Ohms max
 Insulation Resistance: 100m Ohms min @ dc 500V
 Dielectric Withstanding Voltage: AC 500V for 1 min.
 Environmental:
 Lead free, RoHS compliant.

ADAM TECH

909 Ratway Avenue, Union, NJ 07083
 Phone: 908-687-5000 Fax: 908-687-5710

3.5MM STEREO AUDIO PLUG, 3 CHANNEL

UNLESS OTHERWISE SPECIFIED
 ALL DIMENSIONS ARE INCHES [MM]
 TOLERANCES: EXCEPT AS NOTED
 INCHES HOLES
 .X ± .10 Ø.X ± .10
 .XX ± .020 Ø.XX ± .015
 .XXX ± .015 Ø.XXX ± .010

APPROVALS	DATE
DRAWN AY	9/19/12
CHECKED AL	9/19/12
APPROVED	

SIZE	PART NO.	REV.
X	ASP-3.5-S3-52.5-SR	-
REF:	S00062T	
SCALE:	NTS	
SHEET	1 OF 1	

