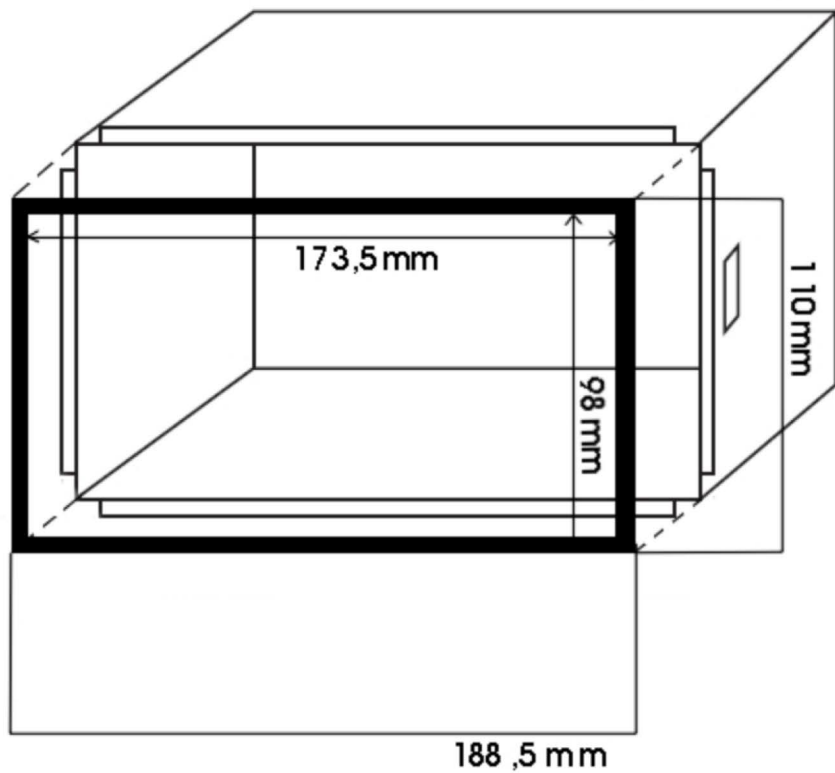


PR-UNI-2DIN.6



PR-UNI-2DIN.5

